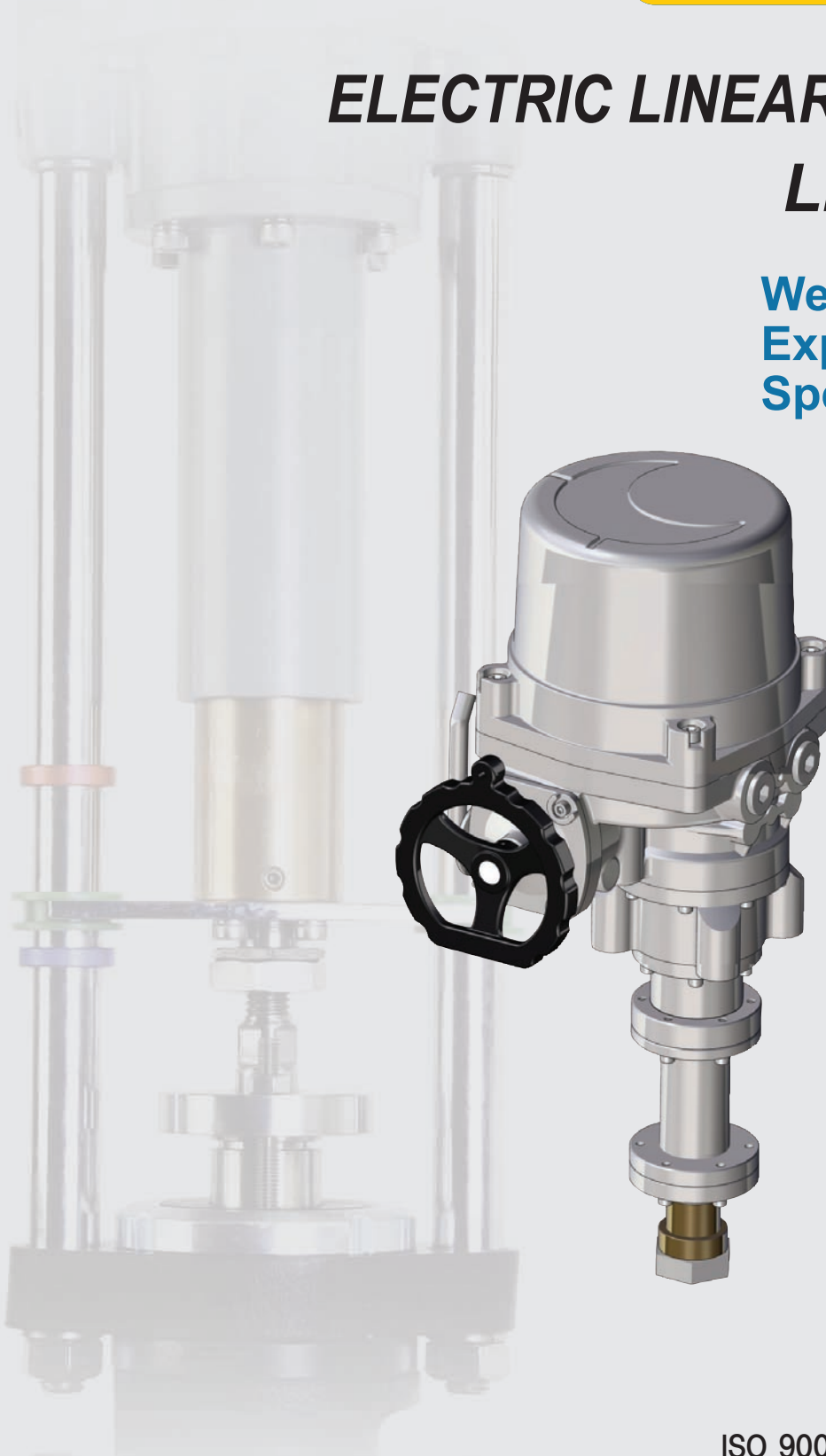




# ***ELECTRIC LINEAR ACTUATOR***

## ***LEA-SERIES***

**Weather proof**  
**Explosion proof**  
**Special options**



ISO 9001, ISO 14001 Certified

[www.sms-tork.com.tr](http://www.sms-tork.com.tr)



## TABLE OF CONTENTS

Description .....	3
Features .....	3
Configuration .....	4
Performance .....	5
Standard specification .....	5
Optional specification .....	5
Dimensions & Wirings connections .....	6~11

## DESCRIPTION

- LEA series electric actuator is specially designed for linear operating valves such as globe valves and similar usages.
- Wide range of output force and control options fit your specific requirements.
- High reliability and performance for valve automation system.



**STANDARD**

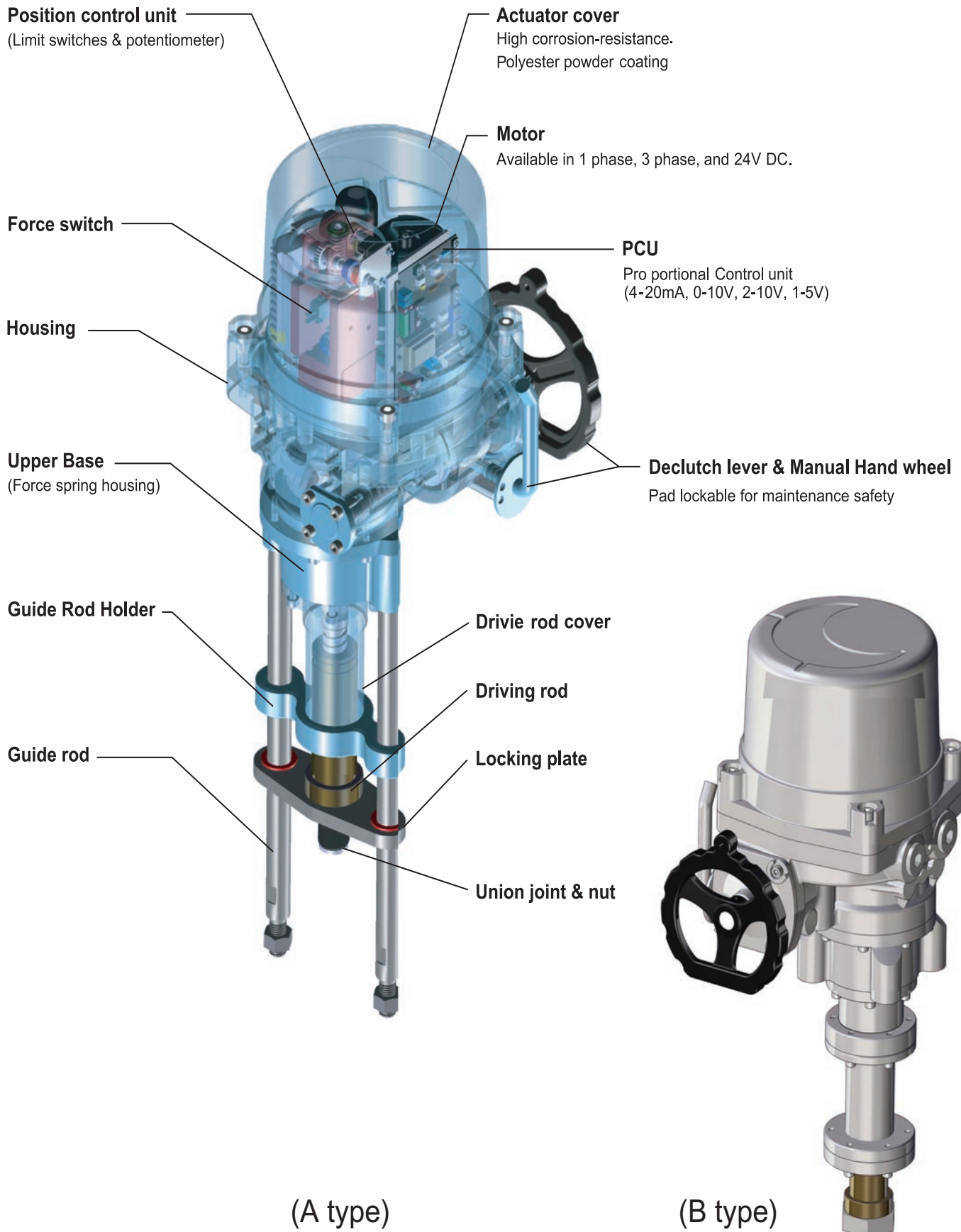
## FEATURES

- Compact and light weight.
- High corrosion resistance.
- Self locking with minimum backlash.
- Rugged construction with o-ring system for water proof and explosion proof.
- Handwheel for manual operation.
- limit switches.
- Force switch.
- Space heater with thermostat for preventing overheat.
- Various output force from 5KN to 25KN.
- Wide range of voltage available.



**OPTIONS**

## Design Construction



## Performance

Type	Max. output force	Stem speed (mm/sec)	Max. Stroke	Duty cycle	Rated current(A) 50/60Hz						Number of handle turn	Weight
				IEC34-1	1 Phase		3 Phase					
	KN	50/60HZ	mm	S4(%)	110 V	220 V	220 V	380 V	440 V	460 V	N	kg
LEA 50	5	0.44/0.53	60	50	0.96/0.97	0.47/0.46	N/A	0.42/0.33	0.57/0.43	N/A	227	11
LEA 70	7	0.44/0.53	60	50	0.96/0.97	0.47/0.46	N/A	0.42/0.33	0.57/0.43	N/A	227	11
LEA 100	10	0.69/0.82	70	50	1.51/1.62	0.72/0.84	0.69/0.50	0.35/0.27	0.55/0.34	0.23/0.19	184	21
LEA 120	12	0.69/0.82	70	50	1.51/1.62	0.72/0.84	0.69/0.50	0.35/0.27	0.55/0.34	0.23/0.19	184	21
LEA 150	15	0.69/0.82	80	50	1.51/1.62	0.72/0.84	0.69/0.50	0.35/0.27	0.55/0.34	0.23/0.19	210	21
LEA 180	18	0.69/0.83	100	50	1.37/1.67	0.68/0.81	0.49/0.41	0.33/0.27	0.43/0.30	0.27/0.24	260	33
LEA 200	20	0.69/0.83	100	50	4.27/3.56	1.37/1.27	0.86/0.72	0.51/0.42	0.66/0.46	0.44/0.32	260	33
LEA 250	25	0.69/0.83	100	50	4.27/3.56	1.37/1.27	0.86/0.72	0.51/0.42	0.66/0.46	0.44/0.32	260	33

## Standard Specification

Enclosure	Weatherproof enclosure IP67
Power supply	110 / 220VAC1PH, 380 / 440VAC3PH 50 / 60Hz, ±10%
Duty cycle(on-off)	S2, 100%Max 30Min
Duty cycle(modulating)	S4, 50%Max 300~1600 start/hour
Motor	Induction motor (Reversible motor)
Limit switches	open / close, SPDT, 250VAC 15A rating
Additional limit switches	open / close, SPDT, 250VAC 15A rating (Except LEA 50 KN ~ 70 KN)
Force switches	open / close, SPDT, 250VAC 15A rating
Stall protection/operating temp	Built-in thermal protection, open 150°C ± 5°C / close 97°C ± 15°C
Manual override	Declutching mechanism
Self locking	Provided by double worm gearing
Space heater	10W(110/220VAC) Anti-condensation
Cable entries	TWO PF3/4 Tap
Lubrication	Grease moly (EP type)
Terminal block	Spring loaded lever push type
Materials	Steel, Aluminium alloy, Albronz
Ambient temperature	-20~+70 (except option electronic board)
Ambient humidity	90%RHMax. (non-condensing)
External coating	Anodizing treatment before Dry powder, Polyester

## Option Specification

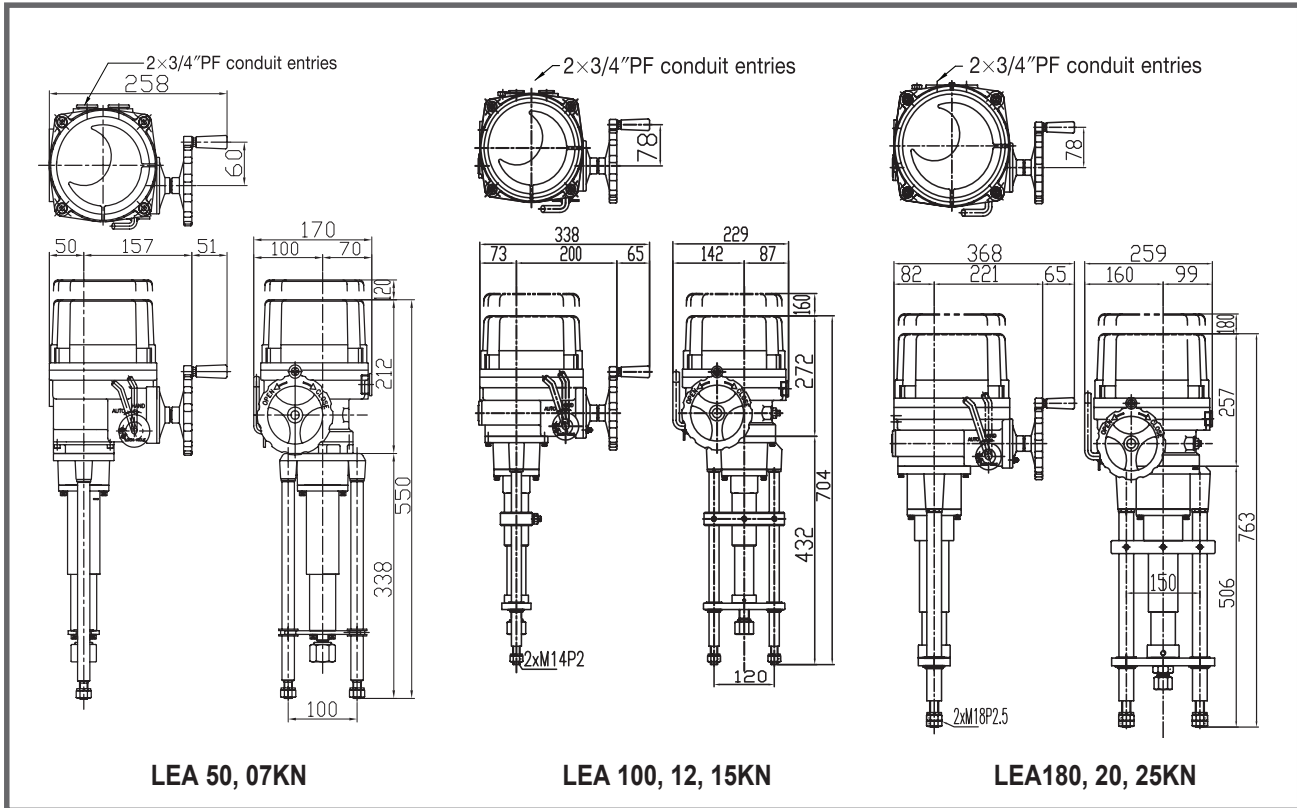
EXA	Explosion proof enclosure (Exd IIBT4)
WTA	Watertight enclosure actuator (IP68 10M 72HR)
PIU	Potentiometer unit (0~1Kohm)
CPT	Current position transmitter (output 4~20mA DC)
PCU	Proportional control unit (input/output 4~20mA DC or 0~10V DC)
IMS	Integral magnetic starter (control power : 110/220VAC 1ph, 50/60Hz ±10%)
LCU-B	Local / Remote Control unit
LCU-C	Integral control unit (LCU + IMS + auto phase discriminator)
RBP	Rechargeable Battery Backup for ESD (Emergency shut down)
MSB	Mounting Support Base & Driving Rod

☒ Consult with the supplier for more details.

## On/Off Control

### Dimensional Drawing

Unit:mm



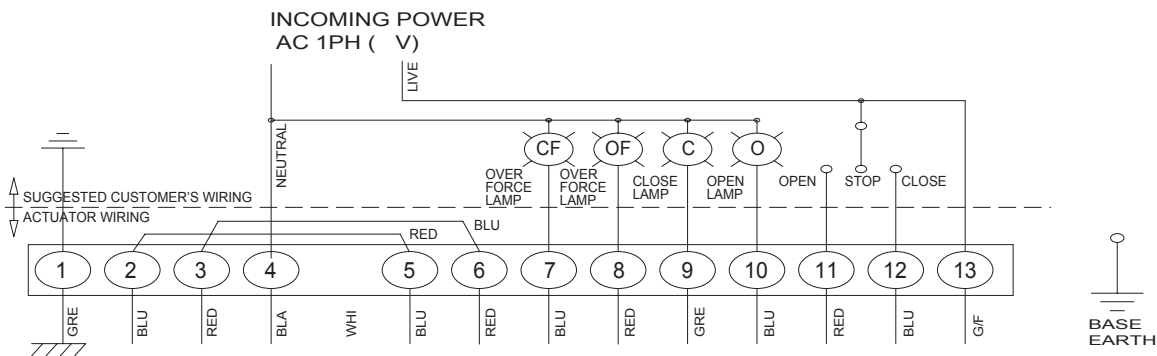
LEA 50, 07KN

LEA 100, 12, 15KN

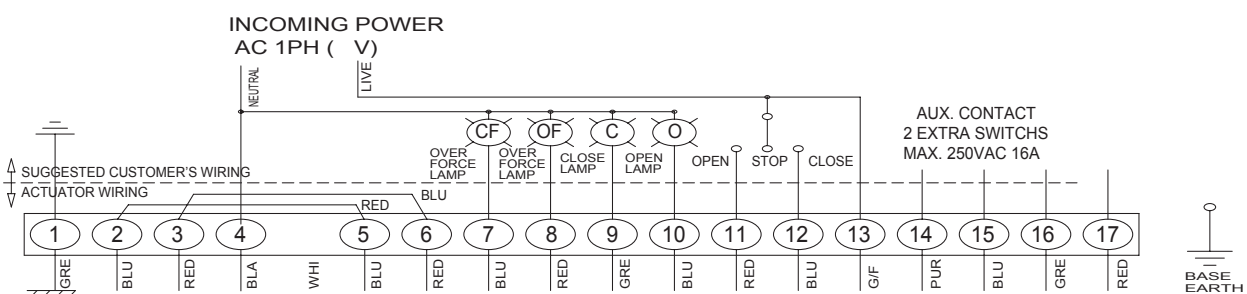
LEA 180, 20, 25KN

### Wiring Diagram

#### ON-OFF CONTROL FOR 1-PHASE ELECTRICITY (LEA 50 KN, 70 KN)



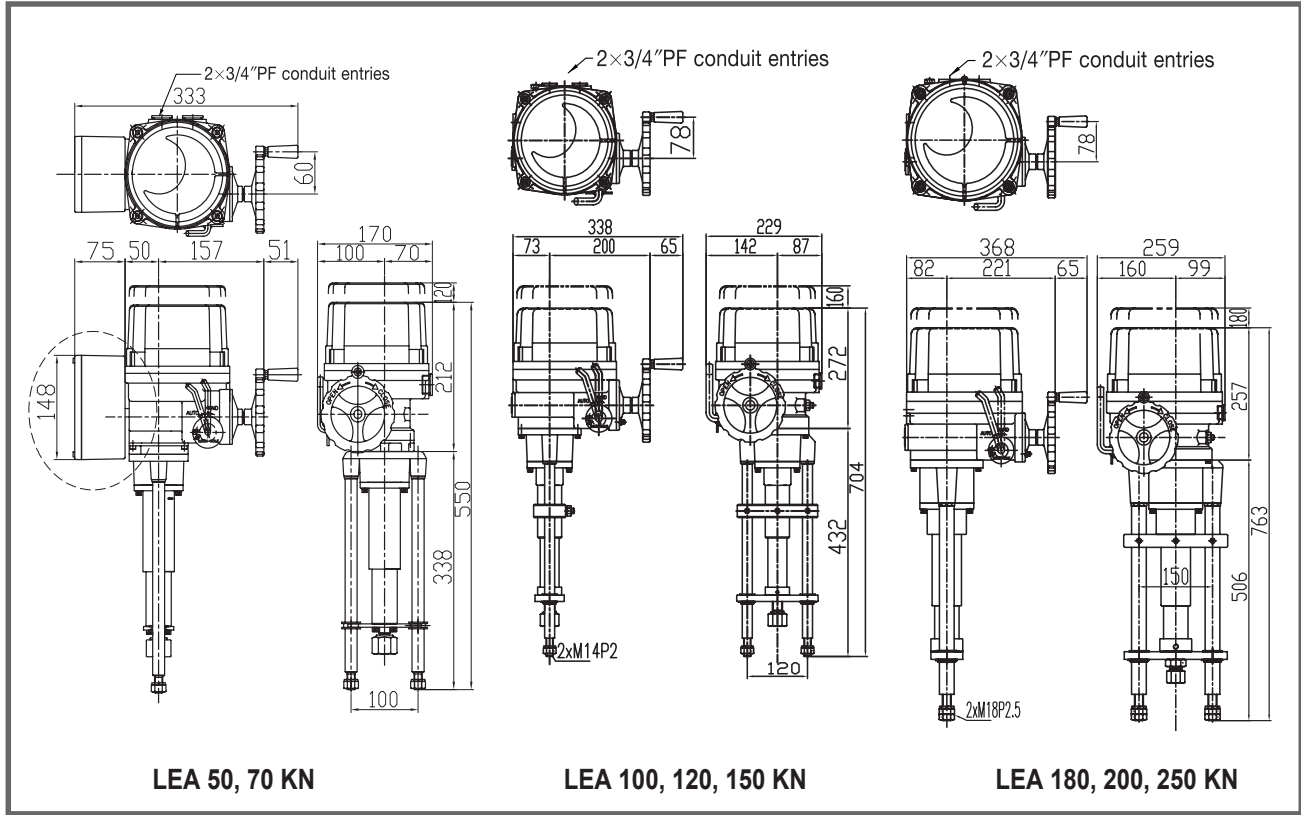
#### ON-OFF CONTROL FOR 1-PHASE ELECTRICITY (LEA 100 KN, 120 KN, 150 KN, 180 KN, 200 KN, 250 KN)



## Proportional Control

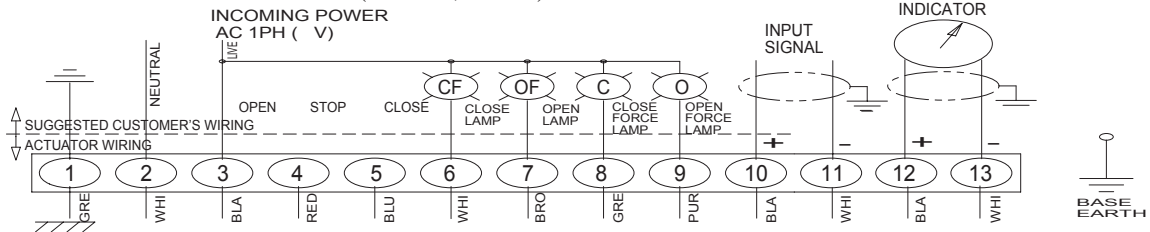
### Dimensional Drawing

Unit:mm

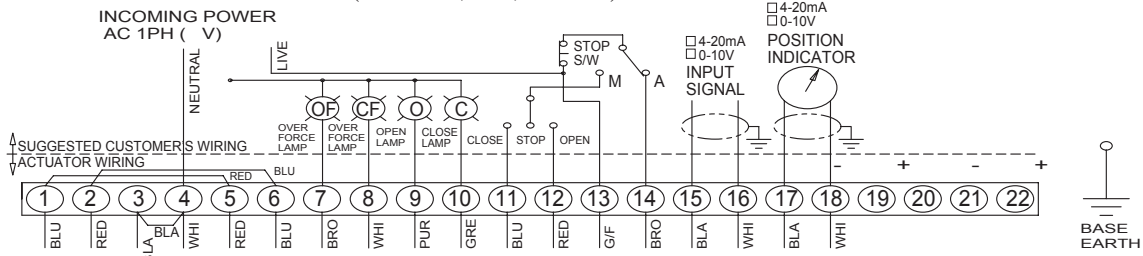


### Wiring Diagram

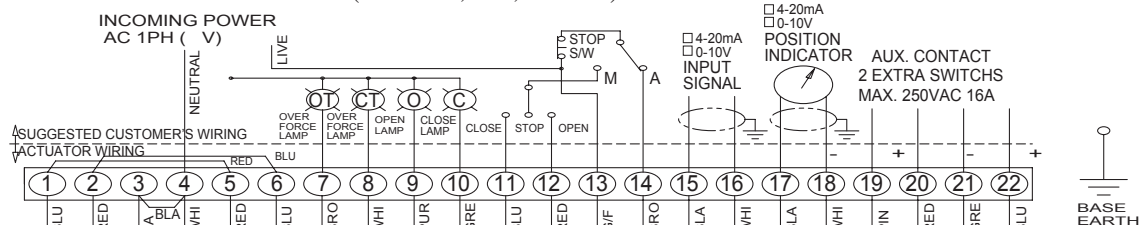
#### PROPORTIONAC CONTROL (LEA 50, 70 KN) FOR 1-PHASE ELECTRICITY



#### PROPORTIONAC CONTROL (LEA 100, 120, 150 KN) FOR 1-PHASE ELECTRICITY



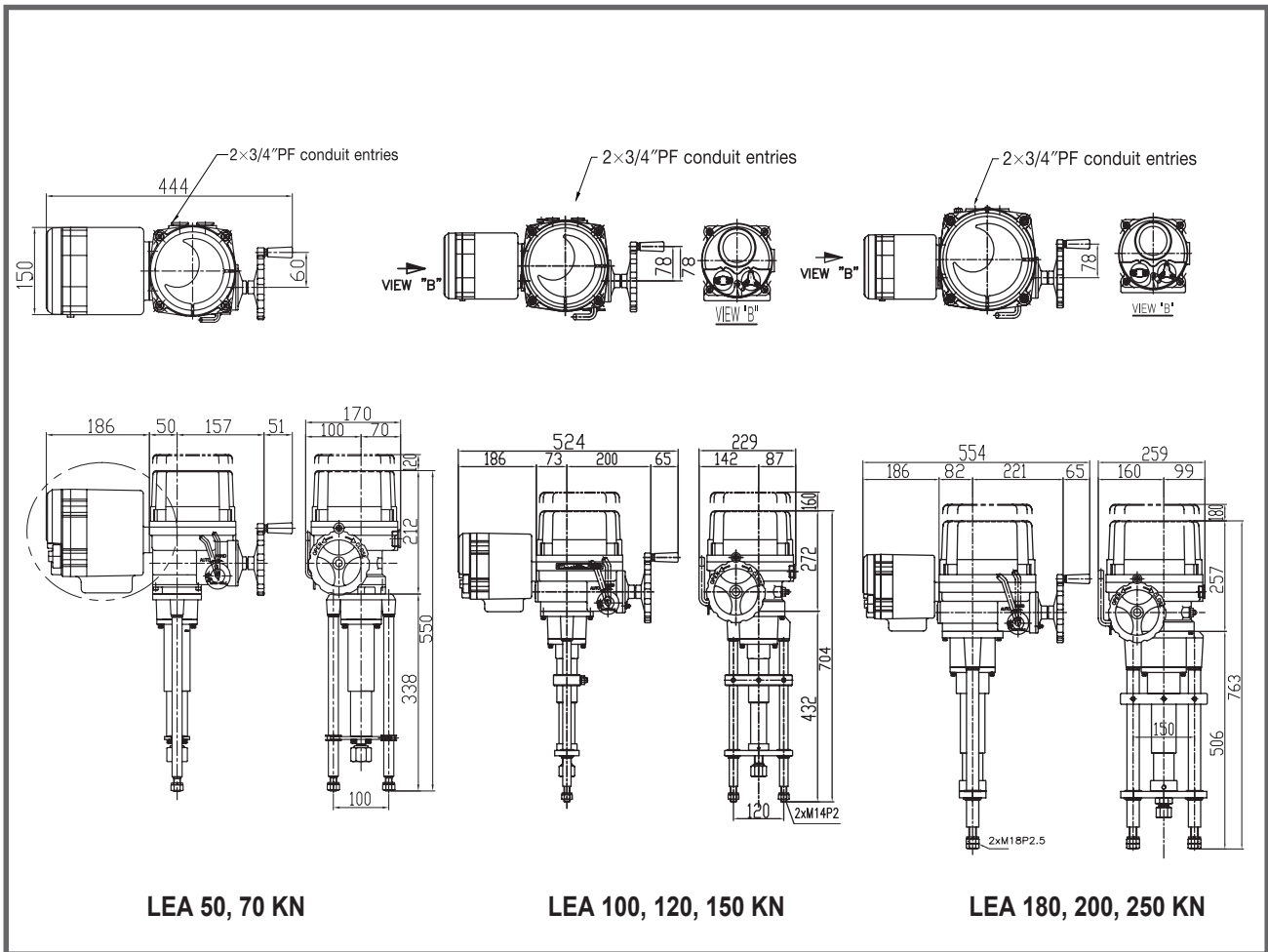
#### PROPORTIONAC CONTROL (LEA 180, 200, 250 KN) FOR 1-PHASE ELECTRICITY



## Local/Remote Control

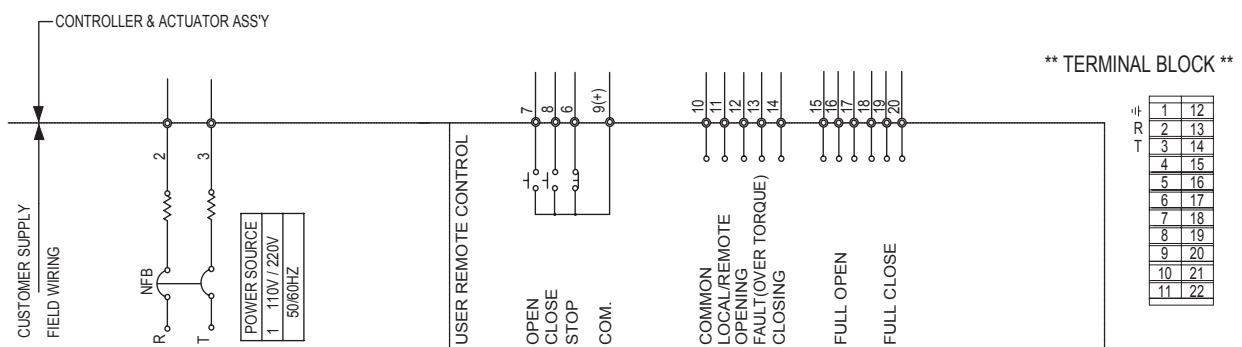
### Dimensional Drawing

Unit:mm



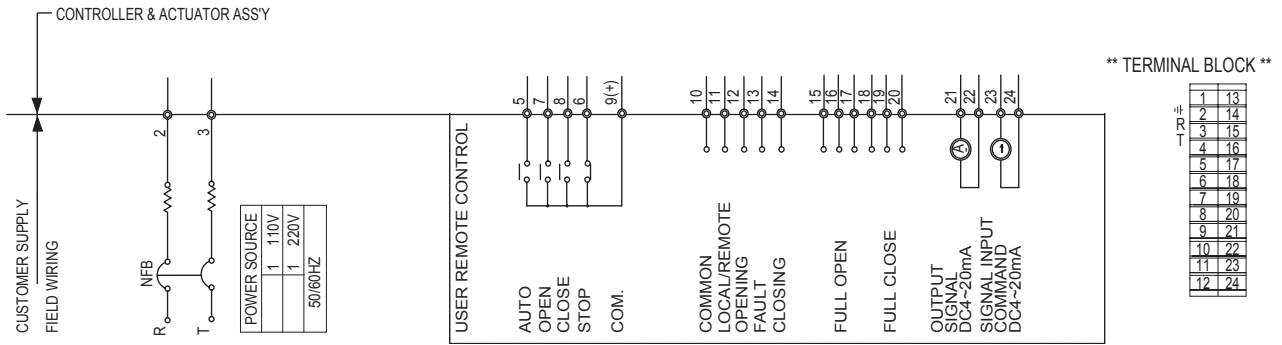
### Wiring Diagram

#### ON-OFF CONTROL WITH LCU-B FOR 1-PHASE ELECTRICITY (LEA 50, 70, 100, 120, 150, 180, 200, 250 KN)

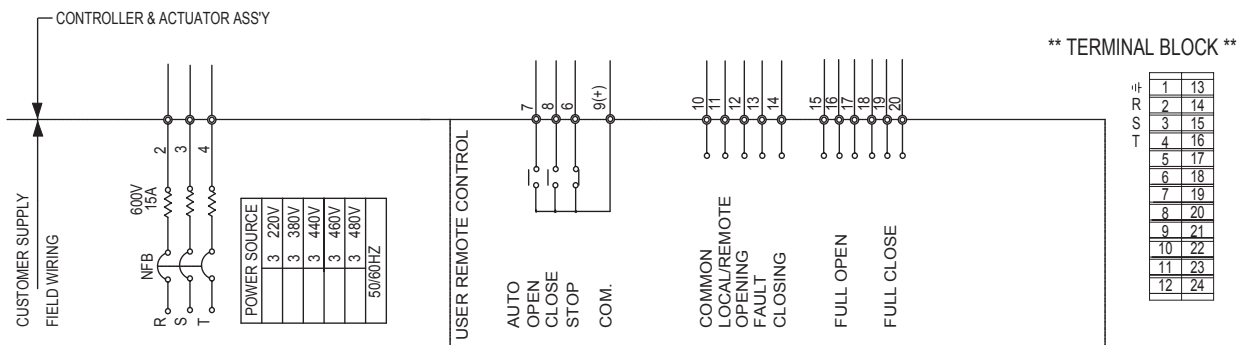




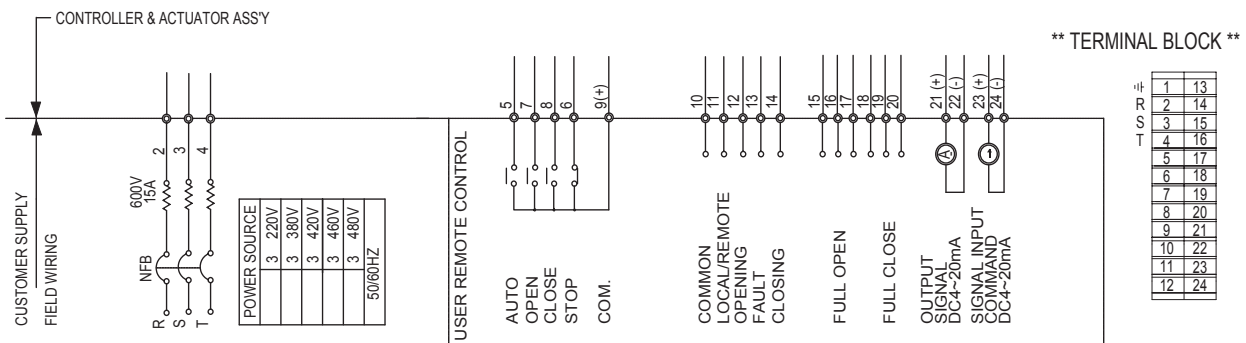
## PROPORTIONAL CONTROL WITH LCU-B1 FOR 1-PHASE ELECTRICITY (LEA 100, 120, 150, 180, 200, 250 KN)



## ON-OFF CONTROL WITH LCU-B3 FOR 3-PHASE ELECTRICITY (LEA 100, 120, 150, 180, 200, 250 KN)



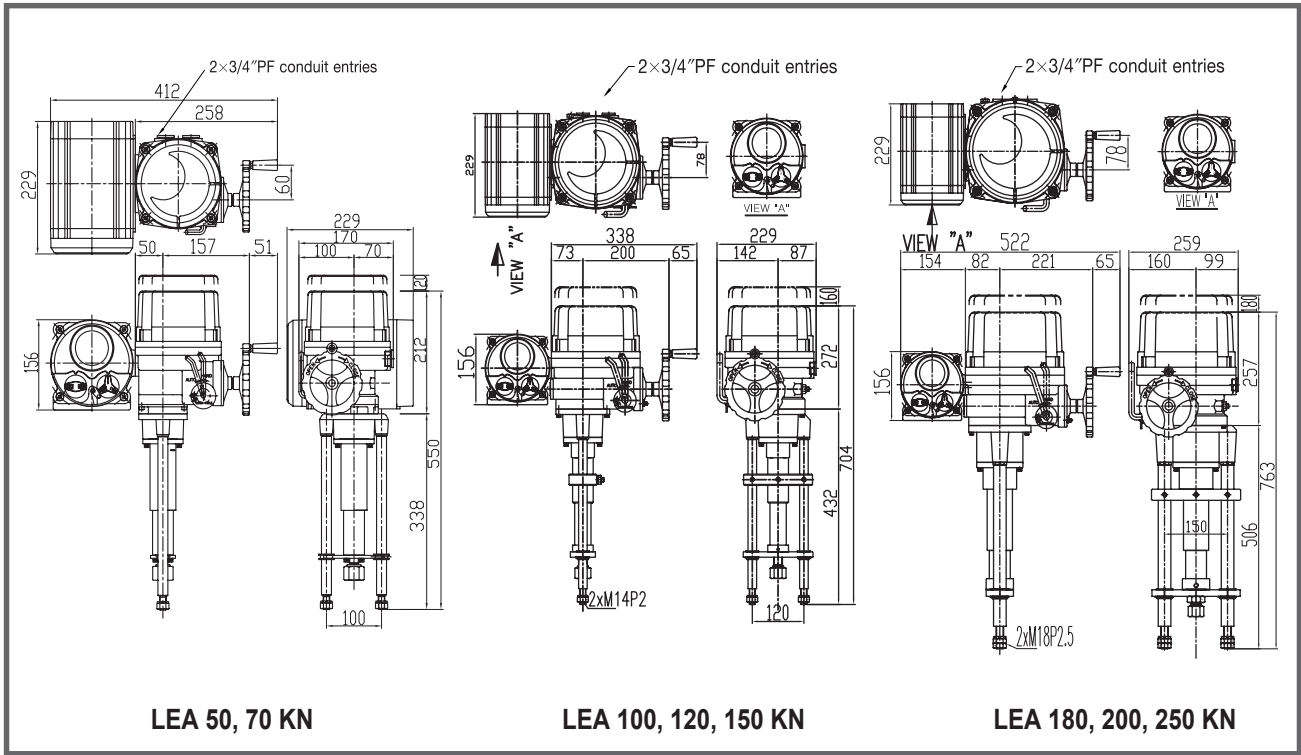
## PROPORTIONAL CONTROL WITH LCU-B FOR 3-PHASE ELECTRICITY (LEA 100, 120, 150, 180, 200, 250 KN)



## RBP Type with Local/Remote Control

### Dimensional Drawing

Unit:mm



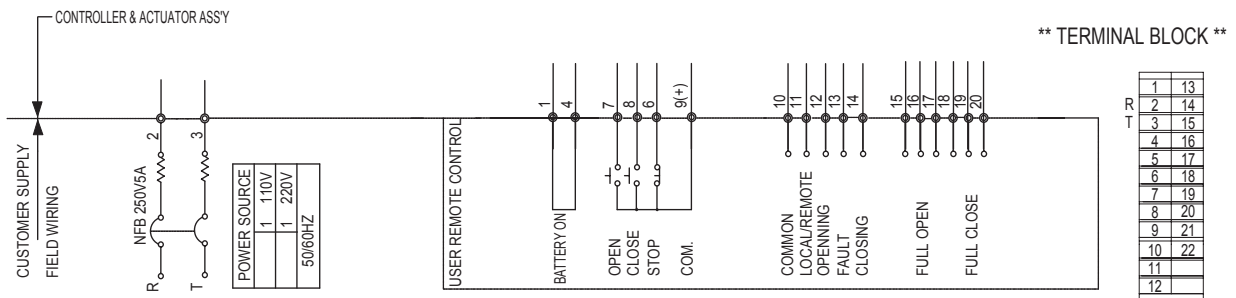
LEA 50, 70 KN

LEA 100, 120, 150 KN

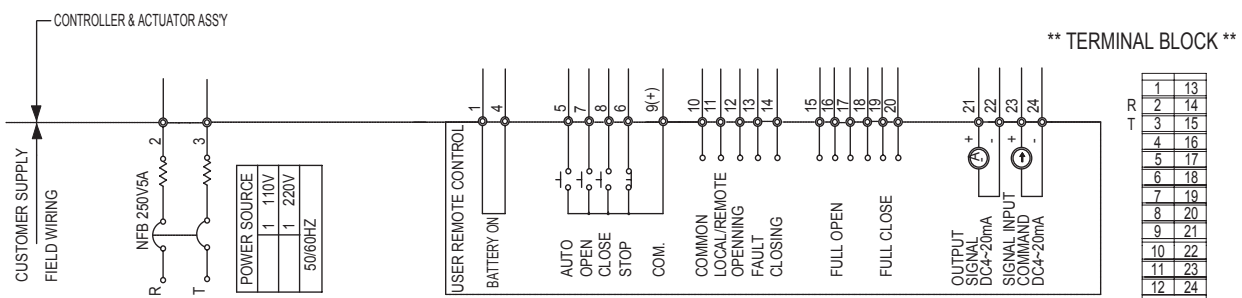
LEA 180, 200, 250 KN

### Wiring Diagram

#### ON-OFF CONTROL WITH RBP / LCU (LEA 50, 70, 100, 120, 150, 180, 200, 250 KN)



#### PROPORTIONAL CONTROL WITH RBP / LCU (LEA 100, 120, 150, 180, 200, 250 KN)



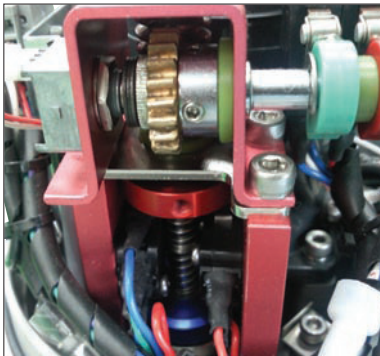
## Ordering Code System

Unit:mm

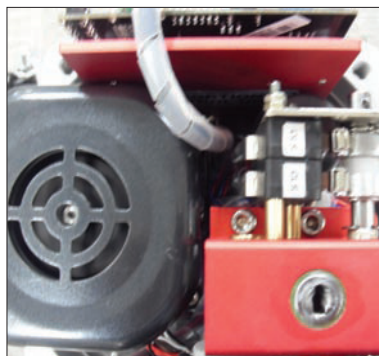
SIZE	ENCLOSURE	MOTOR VOLTAGE	OPTION 1	OPTION 2	OPTION 3
50 : 5KN	1 : Weather proof (IP67)	1 : 110V AC / 1Ph	0 : N/A	0 : N/A	0 : N/A (STD)
70 : 7KN	2 : Watertight (IP68)	2 : 220V AC / 1Ph	1 : PIU	1 : LCU-D	1 : MBS
100 : 10KN	3 : EX type	3 : 220V AC / 3Ph	2 : CPT	2 : LCU-B	
120 : 12KN		4 : 380V AC / 3Ph	3 : PCU	3 : RBP	
150 : 15KN		5 : 440V AC / 3Ph		4 : LCU-C	
180 : 18KN		6 : 460V AC / 3Ph			
200 : 20KN		7 : 24V DC			
250 : 25KN					

### Remarks

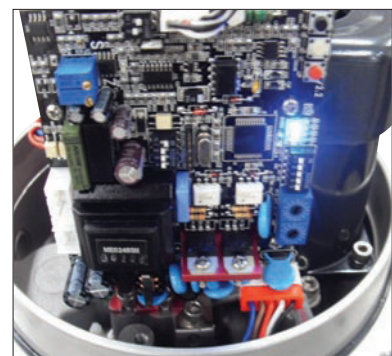
More details should be consulted with the supplier.



Torque S/W



Limit S/W



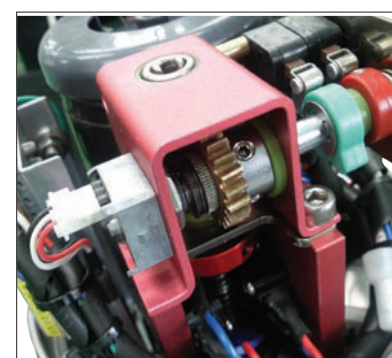
PCU



Motor Ass'y



Drive bush & joint



PIU

