

# ISOLATION & PLASTIC SOLENOID VALVES

## S8480 / S8490 SERIES (G1/8", G1/4")

### GENERAL FEATURES

- These solenoid valves are recommended for use in application where corrosive fluid must be controlled, such as chemical process . water treatment . analysis device etc ... (for S8480.01-S8480.03 and S8480.04)
- These solenoid valves are recommended for use in application where high flow at high pressure is required. (for S8480.02 and S8480.05)
- The typical applications are; industrial furnaces. heating equipments. burners. oil and gas. autoclaves. dental equipments. instrumentation. car washers. machine industries and irrigation ( for S8480.02 and S8480.05)
- Minimum operating differential pressure 0,5 ( for S8480.02 and S8480.05 ). no differential pressure required for S8480.01-S8480.03 and S8480.04
- Suitable for non-aggressive liquids ( water,acid, light oil (2E) etc ... ). gaseous fluids (air. inert gases etc ... ) (for S8480.01 . S8480.03 and S8480.04)( don't use acid for S8480.02 and S8480.05)
- Suitable to work only with AC 8W-5,5W and DC 10W-5,5W coils ( for S8480.01 normally closed and normally open). Suitable to work only with AC SW (for S8480.03 normally closed ) . AC1 OW-5,5W and DC 10W coils (for S8480.03 normally open). Suitable to work only with AC 65VA and DC 38W coils ( for S8480.04 normally closed)
- All valves are assembled with seal coil nut, lower coil gasket and impregnated coil (for S8480.03)
- Plastic manual override ( only S8480.01 normally closed types )
- Working Temperature : -10°C / +8D C ( for S8480.01-S8480.02-S8480.05 ) and +5°C / +50°C ( for S8480.03-S8480.04)
- Specify is application is pressure or vacuum ( for S8480.03-S8480.04-S8480.05 ). They can be used for industrial and irrigation control and automation systems .On request normally open but that type has not manual override .. To order valves manufactured to your specific requirements, please contact our technical department. Not suitable for use with dangerous fluids listed in Group 1.Compact and low weight valve enabling easy and quick installation .High reliability . quality and performance. long life . corrosion resistance
- Coils interchangeable. Flow factor Kv of each valve is indicated. so that the flow Q can be calculated as a function of pressure.Solenoid valves must be used with filtered fluids. Solenoid valve can be mounted in any position without affecting operation; vertical with coil upwards preferred. Standard pipe connection is G (BSP) (ISO 228- 1) and on request other pipe connections are available (NPT (ANSI 1.20.3))
- On request explosion proof coil

### ELECTRICAL CHARACTERISTICS

- Continuous Duty** : ED% 1 OD, Coil Insulation Class: H (1 BO°C), Coil Impregnation: Polyester Fiber Glass
- Coil Encapsulation Material** : Fiber Glass Reinforced, Ambient Temperature : from -10 °C ; +50 °C
- Protection Degree** : IP 65 (EN 60529) with coil duly fitted with the plug connector
- Electric Plug Connection** : DIN 46340 3-poles connectors (DIN 43650)
- Connector Specification** : ISO 4400 / EN 175301-803, Form A, Spade plug (Cable Ø 6-8 mm )
- Electrical Safety** : IEC 335
- Standard Voltages** : For AC 12V, 24V, 48V, 11 DV, 230V  
For DC 12V, 24V, 48V, 110 V
- Other voltages on request**
- Voltage Tolerances** : For AC and DC %-5 ; %+ 1 D. Frequence : 50 Hz. other frequencies on request (60 Hz)
- On request; connector with LED  
Specify coil voltage with order

### MATERIALS IN CONTACT WITH FLUID

- Body** : Reinforced PPA (for S8480.01), PVC (for S8480.03 and S8480.04), Nylon 66 (for S8480.02-S8480.05)
- Internal Parts** : Stainless Steel
- Sealing** : FPM (VITON)
- Shading Ring** : Copper
- Seats** : Reinforced PPA
- Core Tube** : Stainless Steel
- Springs** : Stainless Steel
- On request; sealing can be EPDM

Fluids Temperature for EPDM from -10°C ; +8D°C  
S8480.01 normally open pressure range is from 0 bar to 1 bar.  
S8480.03 normally open pressure range is from 0,4 bar to 0,5 bar.  
Note: Normally open series pressure range 0-1 bar.

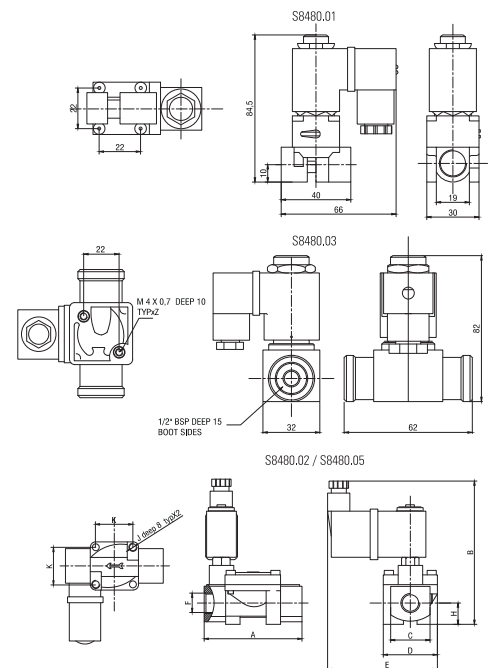
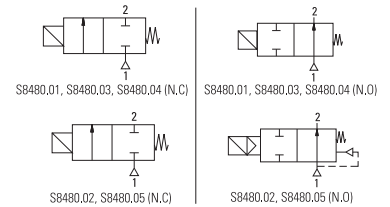


**NORMALLY CLOSED**

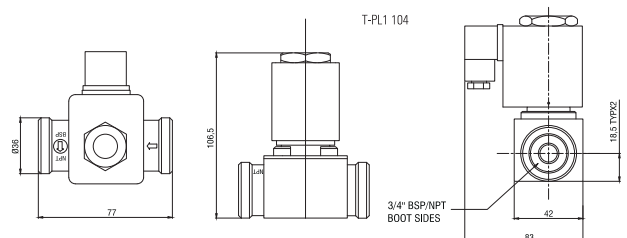
**2/2 WAY**

**DIRECT OPERATED**

**ΔP=0**



Size	Dimensions (mm)							
	A	B	C	D	E	H	J	K
3/8"	58	86	22	32	65	11	M5X0.8	22
1/2"	70	90	27	38	68	13,5	M5X0.8	22



Valve Type / Order no	Connection Size	Orifice Size	Pressure		KV	Fluid Temperature		Seal	Weight	
			min	max		°C	min			max
			bar	bar						
S8480	G	mm	bar	bar	lit/min	°C	min	max	kg	
S8480.01.045	1/4"	4,5	0	2,5	5	-15	90	VITON	0,2	
S8480.03.080	1/2"	8	0	0,7	10	5	50	VITON	0,35	
S8480.04.140	3/4"	14	0	3	45	5	50	VITON	0,4	

Valve Type / Order no	Connection Size	Orifice Size	Pressure		KV	Fluid Temperature		Seal	Weight	
			min	max		°C	min			max
			bar	bar						
S8490	G	mm	bar	bar	lit/min	°C	min	max	kg	
S8490.01.045	1/4"	4,5	-1	0	5	-15	90	VITON	0,2	
S8490.03.080	1/2"	8	-0,4	0,5	10	5	50	VITON	0,35	
S8490.04.140	3/4"	14	-1	0,5	45	5	50	VITON	0,4	