

### Fittings and Accessories For Industrial Installations

- **Jet Cleaners and Scrubber Accessories**
- **Isolation Ball Valves Assemblies**
- **Compression Fittings and Sheath Sets**
- **High Pressure (2500 PSIG) Sensor Housings**
- **In-line Flow Cells**
- **Nut Lock Union Style Adapters**
- **Sensor Extension Cables**
- **Junction Boxes**



To get the most from your Performance Series Sensors use fittings and accessories direct from the manufacturer.




Barben Analytical offers a broad range of fittings and sensor cables to make sure your product will function properly in the application. Many process fittings are available in a variety of corrosion resistant metals as well as high performance plastics.

# Accessories Guide

## pH/ORP/Conductivity Sensors

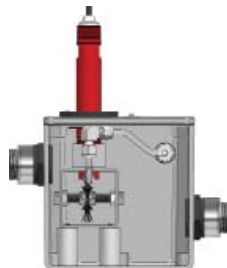
### Model 546

#### 3/4 Inch NPT Threaded In-line, Submersible Accessories

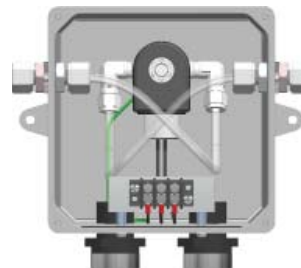
JET CLEANER PRODUCTS - AIR OR LIQUID (546 sensor with 1.5" insertion depth required)	
SUBMERSIBLE JET CLEANER 2" MNPT THREAD MOUNT (DRAWING 2P0183)	
Part #	Description
C37	CPVC / SS316
B37	Kynar / Titanium
	
SUBMERSIBLE JET CLEANER WITH LIQUID TRAP FOR BATCH APPLICATIONS (DRAWING 2P0182)	
C37CT	CPVC / SS316 with liquid trap
B37KT	Kynar / Titanium with liquid trap
	
INLINE JET CLEANER 2" MNPT THREAD MOUNT FOR TEE MOUNTING (DRAWING 2P0184)	
C36	CPVC / SS316
B36	KYNAR / Titanium
	
FLOW CELLS FOR INLINE (C36 / B36) JET CLEANERS ABOVE	
B4951-0050	CPVC 2" FNPT Threaded Pipe Tee for C36
B4951-0051	Polypropylene 2" FNPT Threaded Pipe Tee for C36 or B36
B4951-0052	SS316 2" FNPT Threaded Pipe Tee for C36 or B36
B4951-0053	Kynar 2" FNPT Threaded Pipe Tee for B36
BRUSH SCRUBBER SUBMERSIBLE - SS FRAME WITH PLASTIC BRUSHES - AIR OR LIQUID DRIVEN (546 pH sensors with Hemispherical glass, Flush Junction, and 0.5" Insertion Depth Required) 45 PSIG WATER / 20 PSIG AIR REQ'D WHEN SUBMERSED - 35 PSIG AIR REQ'D NON-SUBMERSED	
SUBMERSIBLE BRUSH SCRUBBERS (DRAWING 2P0042)	
B38-B-V-N	Scrubber with Viton brushes
B38-B-E-N	Scrubber with EPDM brushes
See Below for image	
SUBMERSIBLE BRUSH SCRUBBER MOUNTED IN PVC POT WITH NPT THREADED PORTS (DRAWING 2P0043)	
B38-B-V-P1	Viton brushes, 1" FNPT Threaded ports
B38-B-E-P1	EPDM brushes, 1" FNPT Threaded ports
B38-B-V-P2	Viton brushes, 2" FNPT Threaded ports
B38-B-E-P2	EPDM brushes, 2" FNPT Threaded ports
See Below for image	
DISTRIBUTION VALVE FOR JET CLEANERS AND BRUSH SCRUBBERS ABOVE PVC WEATHERPROOF ENCLOSED SOLENOID VALVE (DRAWING 2P0181)	
B41-P-C	115VAC
B42-P-C	230VAC
B43-P-C	24VDC
See Below for image	
TUBING FOR PLUMBING DISTRIBUTION VALVE TO JET CLEANERS/BRUSH SCRUBBERS	
B9213-0002	Polypropylene 1/4"OD X 1/8"ID



Brush Scrubber - Submersible



Brush Scrubber in Pot with NPT Ports



Distribution Valve

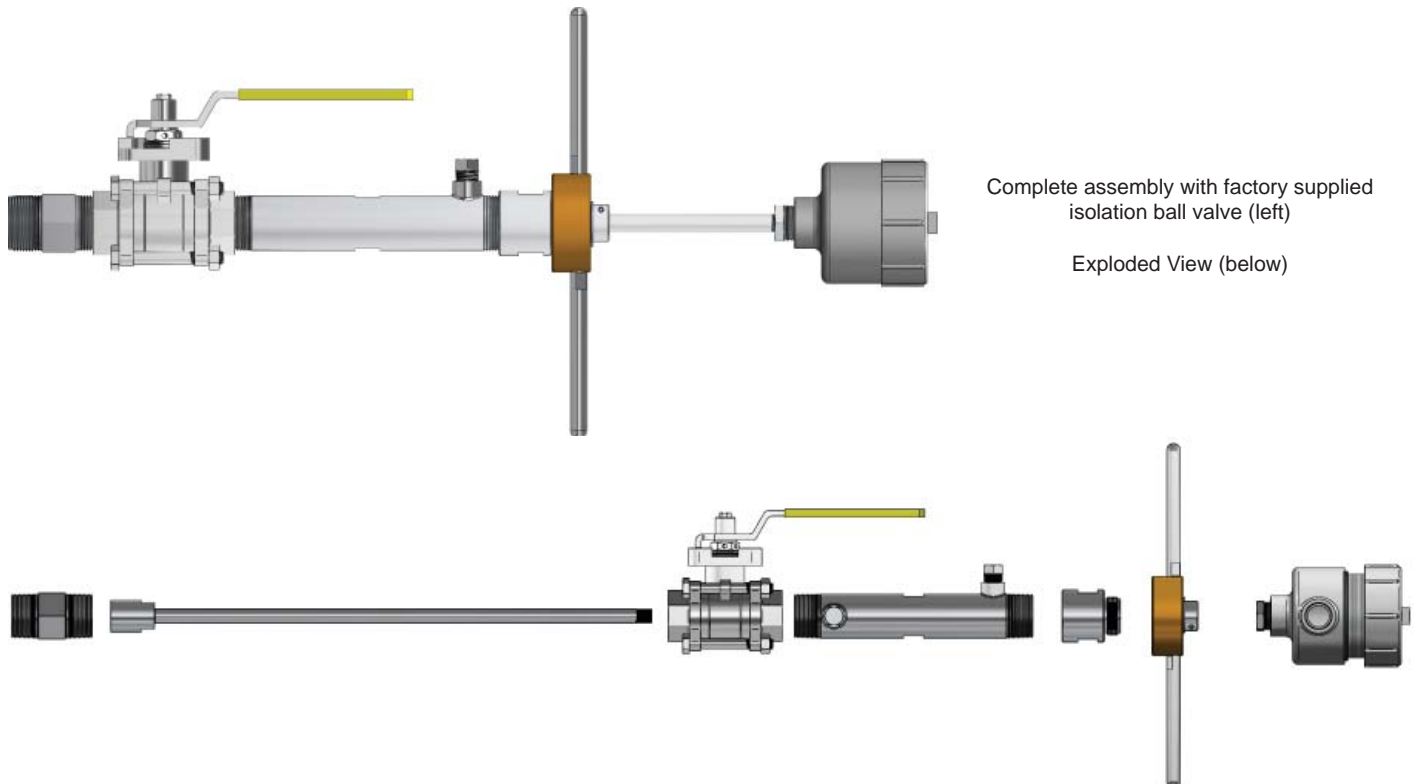
Images for reference only  
Not to scale

# Accessories Guide

## pH/ORP/Conductivity Sensors

### Model 546 High Pressure Hot Tap Accessories

HIGH PRESSURE BALL-VALVE INSERTION SYSTEMS	
SS316 1-1/4" ASSEMBLIES WITH FACTORY SUPPLIED VALVE (DRAWING 2P0086)	
Part #	Description
B5104-S125V	With Viton ORings
B5104-S125E	With EPDM ORings
B5104-S125K	With Kalrez ORings
<b>KIT 1-1/4" (DRAWING 2P0087) (1-1/4" NPT FULL PORT BALL VALVE SUPPLIED BY END USER)</b>	
B5104K-S125V	SS316 with Viton ORings, NO Valve
B5104K-S125E	SS316 with EPDM ORings, NO Valve
B5104K-S125K	SS316 with Kalrez ORings, NO Valve
B5104K-T125V	Titanium Gr. 2 with Viton ORings, NO Valve
B5104K-T125E	Titanium Gr. 2 with EPDM ORings, NO Valve
B5104K-T125K	Titanium Gr. 2 with Kalrez ORings, NO Valve
<b>KIT 1-1/2" (DRAWING 2P0088) (1-1/2" NPT FULL PORT BALL VALVE SUPPLIED BY END USER)</b>	
B5104K-S150V	SS316 with Viton ORings, NO Valve
B5104K-S150E	SS316 with EPDM ORings, NO Valve
B5104K-S150K	SS316 with Kalrez ORings, NO Valve
B5104K-T150V	Titanium Gr. 2 with Viton ORings, NO Valve
B5104K-T150E	Titanium Gr. 2. with EPDM ORings, NO Valve
B5104K-T150K	Titanium Gr. 2 with Kalrez ORings, NO Valve
REPLACEMENT O-RINGS FOR HIGH PRESSURE INSERTION SYSTEMS	
B4904K-1009	EPDM ORings
B4904K-1010	Kalrez ORings
B4904K-1011	Viton ORings



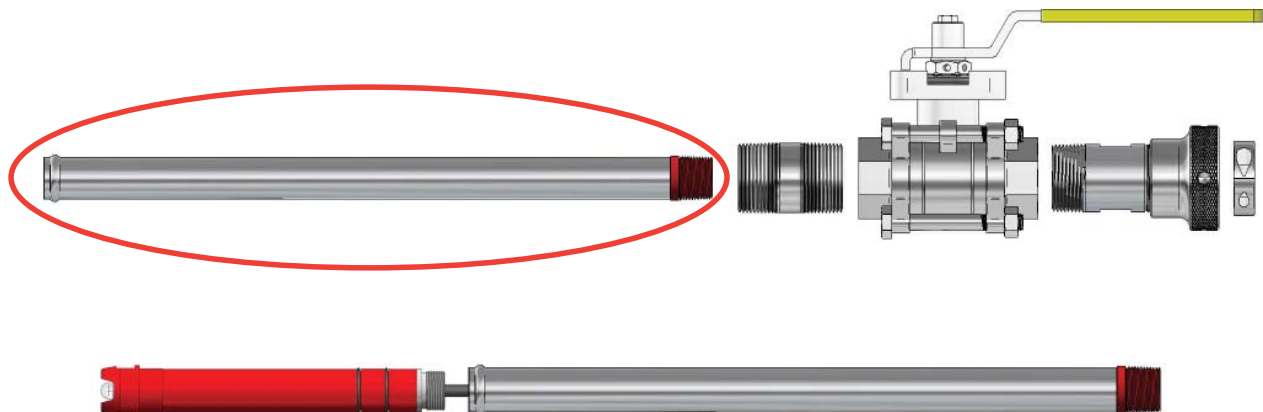
# Accessories Guide

## pH/ORP/Conductivity Sensors

### Model 547

#### Hot Tap Retractable Accessories (Sheath Kits)

SHEATH SETS - INCLUDES OUTER SHEATH, KYNAR BACKPIECE, ORINGS (DRAWING 2A0160)							
Part #	Length		Part #	Length		Part #	Length
<b>TITANIUM-KYNAR-VITON</b>			<b>SS316-KYNAR-VITON</b>			<b>HASTELLOY C-KYNAR-VITON</b>	
B5104-0058V	8"		B5104-0068V	8"		B5104-0078V	8"
B5104-0116V	16"		B5104-0216V	16"		B5104-0316V	16"
B5104-0120V	20"		B5104-0220V	20"		B5104-0320V	20"
B5104-0124V	24"		B5104-0224V	24"		B5104-0324V	24"
B5104-0130V	30"		B5104-0230V	30"		B5104-0330V	30"
B5104-0136V	36"		B5104-0236V	36"		B5104-0336V	36"
B5104-0160V	60"		B5104-0260V	60"		B5104-0360V	60"
<b>TITANIUM-KYNAR-EPDM</b>			<b>SS316-KYNAR-EPDM</b>			<b>HASTELLOY C-KYNAR-EPDM</b>	
B5104-0058E	8"		B5104-0068E	8"		B5104-0078E	8"
B5104-0116E	16"		B5104-0216E	16"		B5104-0316E	16"
B5104-0120E	20"		B5104-0220E	20"		B5104-0320E	20"
B5104-0124E	24"		B5104-0224E	24"		B5104-0324E	24"
B5104-0130E	30"		B5104-0230E	30"		B5104-0330E	30"
B5104-0136E	36"		B5104-0236E	36"		B5104-0336E	36"
B5104-0160E	60"		B5104-0260E	60"		B5104-0360E	60"
<b>TITANIUM-KYNAR-KALREZ</b>			<b>SS316-KYNAR-KALREZ</b>			<b>HASTELLOY C-KYNAR-KALREZ</b>	
B5104-0058K	8"		B5104-0068K	8"		B5104-0078K	8"
B5104-0116K	16"		B5104-0216K	16"		B5104-0316K	16"
B5104-0120K	20"		B5104-0220K	20"		B5104-0320K	20"
B5104-0124K	24"		B5104-0224K	24"		B5104-0324K	24"
B5104-0130K	30"		B5104-0230K	30"		B5104-0330K	30"
B5104-0136K	36"		B5104-0236K	36"		B5104-0336K	36"
B5104-0160K	60"		B5104-0260K	60"		B5104-0360K	60"



Sheath kit circled above. Additional hot tap hardware on following pages.  
Each kit includes metallic sheath, Kynar backpiece, and o-ring seals (Kalrez, Viton or EPDM)

# Accessories Guide

## pH/ORP/Conductivity Sensors

### Model 547 / 567

#### Hot Tap Retractable Accessories (Valves Assemblies and Clean / Cal / Purge Fittings)

<b>CLEAN-CALIBRATE-PURGE FITTING</b>	
Includes two 3/8" FNPT Thread Ports for Fill and Drain (DRAWING 2P0071)	
<b>SS316 Wrench Tight</b>	
Part #	Description
B4954-0014	1" FNPT X 1-1/4" MNPT Thread
B4954-0023	1" FNPT X 1-1/2" MNPT Thread
See page 7 for image	
<b>SS316 Hand Tight</b>	
B4954-0016	1-1/4" FNPT X 1-1/4" MNPT Thread
B4954-0025	1-1/4" FNPT X 1-1/2" MNPT Thread
See page 7 for image	
<b>Titanium Gr. 2 Wrench Tight</b>	
B4954-0015	1" FNPT X 1-1/4" MNPT Thread
B4954-0024	1" FNPT X 1-1/2" MNPT Thread
See page 7 for image	
<b>Titanium Gr. 2 Hand Tight</b>	
B4954-0017	1-1/4" FNPT X 1-1/4" MNPT Thread
B4954-0026	1-1/4" FNPT X 1-1/2" MNPT Thread
See page 7 for image	
<b>Hastelloy C Wrench Tight</b>	
B4954-0018	1" FNPT X 1-1/2" MNPT Thread
See page 7 for image	
<b>Hastelloy C Wrench Tight</b>	
B4954-0019	1-1/4" FNPT X 1-1/2" MNPT Thread
See page 7 for image	
<b>COLLAR STOP ADJUSTABLE FOR INSERTION REPEATABILITY</b>	
B5106-0033	SS 1" ID X 1-3/4" OD
See page 7 for image	
<b>STAINLESS STEEL BALL VALVE ASSEMBLIES</b>	
<b>SS316 FOR USE WITH HAND TIGHT FITTINGS (DRAWING 2P0016)</b>	
B5205-0003	1-1/4" Valve With Nipple 1-1/4" NPT
B5205-0004	1-1/2" Valve With Reducer 1-1/2" X 1-1/4" NPT & Nipple 1-1/2" NPT
See page 7 for image	
<b>SS316 FOR USE WITH WRENCH TIGHT FITTINGS (DRAWING 2P0016)</b>	
B5205-0001	1-1/4" Valve With Reducer 1-1/4" X 1" NPT & Nipple 1-1/4" NPT
B5205-0002	1-1/2" Valve With Reducer 1-1/2" X 1" NPT & Nipple 1-1/2" NPT
See page 7 for image	
<b>KYNAR BALL VALVE ASSEMBLIES</b>	
<b>KYNAR FOR USE WITH HAND TIGHT FITTINGS (DRAWING 2P0017)</b>	
B5205-0008	1-1/4" Valve With Nipple 1-1/4" NPT
B5205-0006	1-1/2" Valve With Reducer 1-1/2" X 1-1/4" NPT & Nipple 1-1/2" NPT
See page 7 for image	
<b>KYNAR FOR USE WITH WRENCH TIGHT OR PLASTIC HAND TIGHT FITTINGS (DRAWING 2P0017)</b>	
B5205-0007	1-1/4" Valve With Reducer 1-1/4" X 1" NPT & Nipple 1-1/4" NPT
B5205-0005	1-1/2" Valve With Reducer 1-1/2" X 1" NPT & Nipple 1-1/2" NPT
See page 7 for image	
<b>KYNAR FOR USE WITH STOP LOCK FITTINGS (DRAWING 2P0189)</b>	
B5205-1000	1-1/2" Valve With Nipple 1-1/2" NPT
See page 7 for image	

# Accessories Guide

## pH/ORP/Conductivity Sensors

### Model 547 / 567

#### Hot Tap Retractable Accessories (Compression fittings)

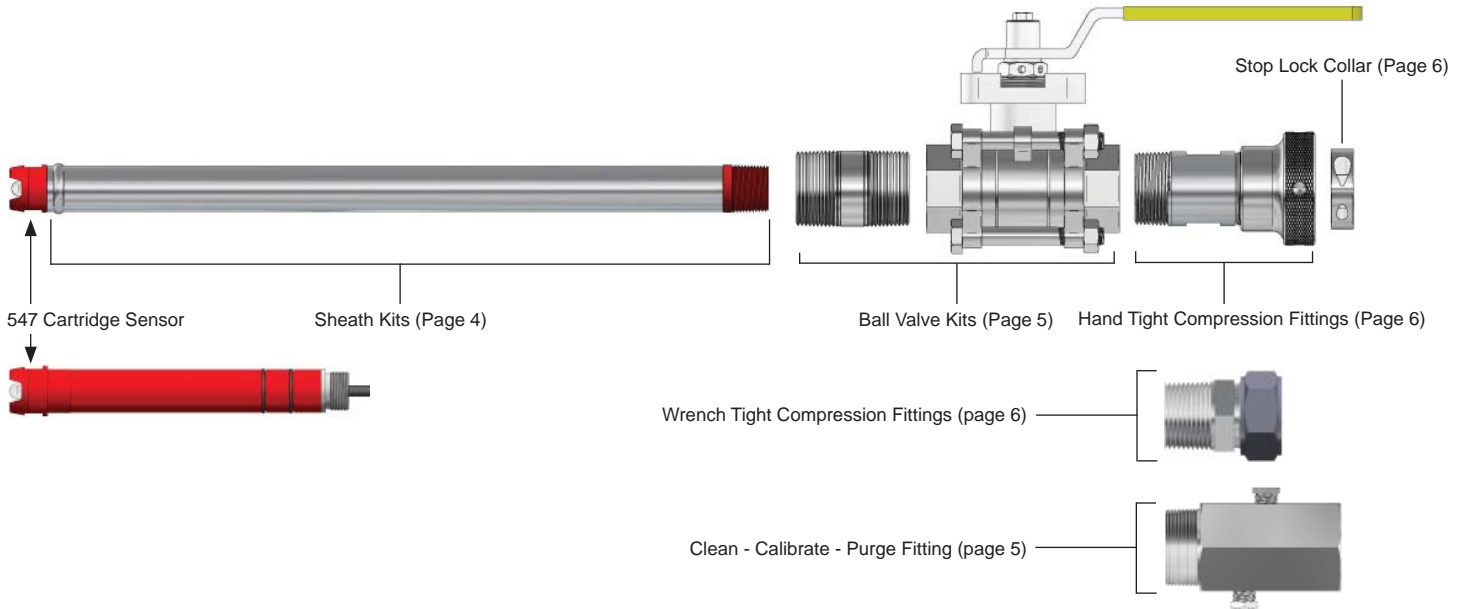
METAL COMPRESSION FITTINGS - HANDTIGHT - ORING SEALS - SS316 HAND NUT 1-1/4" MNPT THREAD (DRAWING 2P0010)	
HAND TIGHT COMPRESSION FITTING OPTIONS	<b>SS316 WETTED COMPONENTS</b>
	Part # Description
	B4954-0003V VITON seals
	B4954-0003E EPDM seals See page 7 for image
	B4954-0003K KALREZ seals
	<b>HASTELLOY C WETTED COMPONENTS</b>
	B4954-0004V VITON seals
	B4954-0004E EPDM seals See page 7 for image
	B4954-0004K KALREZ seals
	<b>TITANIUM GR. 2 WETTED COMPONENTS</b>
	B4954-0005V VITON seals
	B4954-0005E EPDM seals See page 7 for image
	B4954-0005K KALREZ seals
	<b>REPLACEMENT O-RING KITS FOR HAND TIGHT COMPRESSION FITTINGS ABOVE (Set)</b>
	B4904K-1001 VITON
B4904K-1002 EPDM	
B4904K-1000 KALREZ	
<b>PLASTIC COMPRESSION FITTINGS - HANDTIGHT - ORING SEALS (40 PSIG MAX) 1" MNPT THREAD (DRAWING 2P0164)</b>	
<b>KYNAR WETTED COMPONENT</b>	
B4953-0017V VITON seal, KYNAR Hand Nut	
B4953-0017E EPDM seal, KYNAR Hand Nut See page 7 for image	
B4953-0017K KALREZ seal, KYNAR Hand Nut	
WRENCH TIGHT COMPRESSION FITTING OPTIONS	<b>METAL COMPRESSION FITTINGS - WRENCH TIGHT - ORING SEALS 1" MNPT THREAD (DRAWING 2P0011)</b>
	<b>SS316 WETTED COMPONENT</b>
	B4954-0001V VITON seal, SS Hex Nut
	B4954-0001E EPDM seal, SS Hex Nut See page 7 for image
	B4954-0001K KALREZ seal, SS Hex Nut
	<b>HASTELLOY C WETTED COMPONENT</b>
	B4954-0002V VITON seal, SS Hex Nut
	B4954-0002E EPDM seal, SS Hex Nut See page 7 for image
	B4954-0002K KALREZ seal, SS Hex Nut
	<b>TITANIUM GR. 2 WETTED COMPONENT</b>
	B4954-0009V VITON seal, SS Hex Nut
	B4954-0009E EPDM seal, SS Hex Nut See page 7 for image
	B4954-0009K KALREZ seal, SS Hex Nut
	<b>TFE TEFLON WETTED COMPONENT (40PSIG MAX)</b>
	B4953-0014V VITON seal, TFE TEFLON Hex Nut
B4953-0014E EPDM seal, TFE TEFLON Hex Nut See page 7 for image	
B4953-0014K KALREZ seal, TFE TEFLON Hex Nut	
<b>REPLACEMENT ORING FOR WRENCH TIGHT AND PLASTIC HAND TIGHT FITTINGS ABOVE</b>	
B4904K-1003 VITON	
B4904K-1004 EPDM See page 7 for image	
B4904K-1005 KALREZ	
<b>REPLACEMENT FERRULES FOR METALLIC HAND AND WRENCH TIGHT FITTINGS ABOVE</b> See page 7 for image	
B4952-0004 Teflon Front	
B4952-0005 SS Rear Split	
STOP LOCK FITTINGS	<b>STOP LOCK FITTINGS - WRENCH TIGHT - ORING SEALS - 1-1/2"MNPT THREAD (DRAWING 2P0121)</b>
	<b>PEEK WETTED COMPONENT</b>
	B4953-0019V VITON seals, SS Hex Nut
	B4953-0019E EPDM seals, SS Hex Nut See page 7 for image
	B4953-0019K KALREZ seals, SS Hex Nut
<b>REPLACEMENT ORING KIT FOR STOP LOCK FITTINGS ABOVE (SET)</b>	
B4904K-1006 VITON	
B4904K-1007 EPDM See page 7 for image	
B4904K-1008 KALREZ	

# Accessories Guide

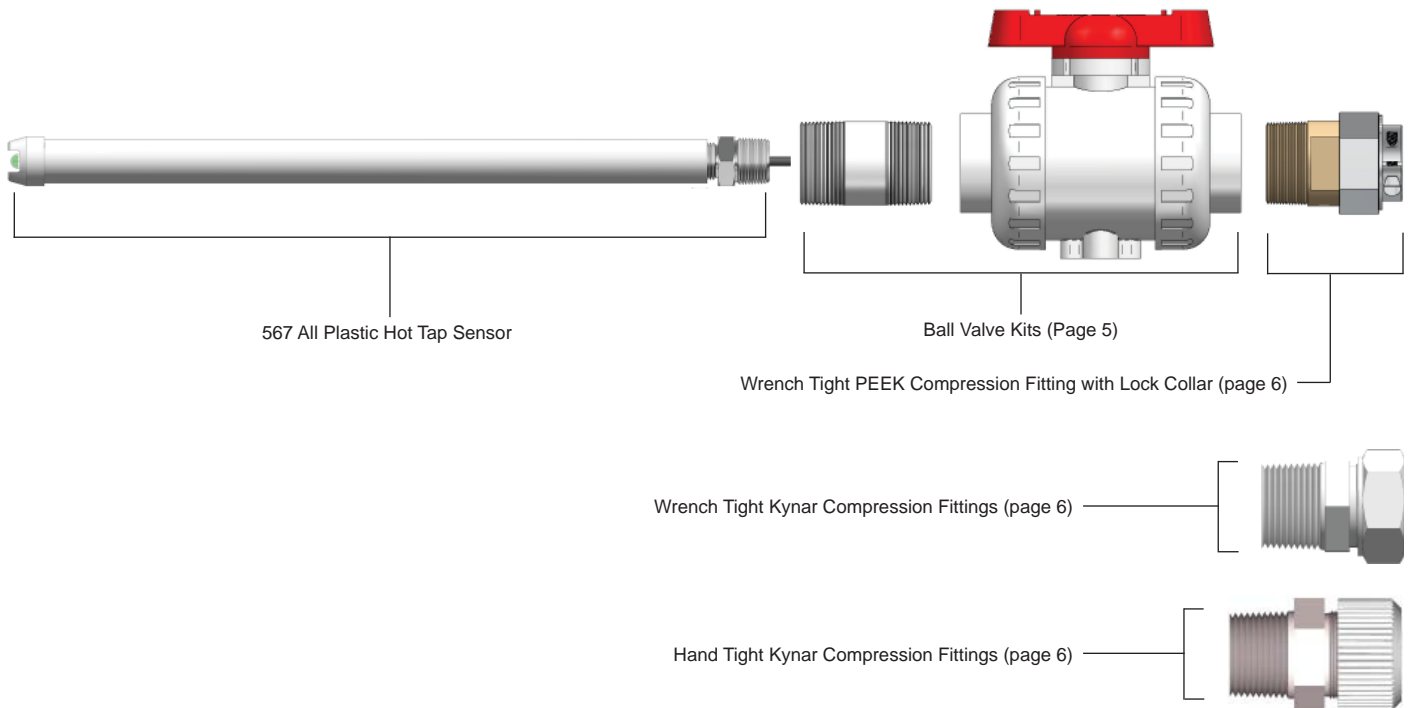
## pH/ORP/Conductivity Sensors

### Model 547 / 567

#### Hot Tap Retractable Accessories (Illustrations)



### 547 Metallic Hot Tap Assembly



### 567 All Plastic Hot Tap Assembly

# Accessories Guide

## pH/ORP/Conductivity Sensors

### Model 547

#### In-line High Pressure Accessories

#### HIGH PRESSURE (2500 PSIG) INLINE HOUSINGS 1" MNPT THREAD MOUNTING (DRAWING 2P0044) (NOSE OF SENSOR CARTRIDGE ACCOUNTS FOR THE FIRST INCH OF INSERTION)

##### MATERIAL SS316

Part #	Description
B5106-0001	1.0" Insertion Depth
B5106-0002	1.5" Insertion Depth
B5106-0003	2.0" Insertion Depth
B5106-0004	2.5" Insertion Depth
B5106-0005	3.0" Insertion Depth
B5106-0006	3.5" Insertion Depth
B5106-0007	4.0" Insertion Depth
B5106-0008	4.5" Insertion Depth



##### MATERIAL TITANIUM GR2

B5106-0021	1.0" Insertion Depth
B5106-0022	1.5" Insertion Depth
B5106-0023	2.0" Insertion Depth
B5106-0024	2.5" Insertion Depth
B5106-0025	3.0" Insertion Depth
B5106-0026	3.5" Insertion Depth
B5106-0027	4.0" Insertion Depth
B5106-0028	4.5" Insertion Depth



##### MATERIAL HASTELLOY C-276

B5106-0040	1.0" Insertion Depth
------------	----------------------

#### INLINE FLOW CELL PIPE TEE 1" FNPT THREADED 3,000PSIG RATED

B4951-0055	SS316
B4951-0095	Titanium Gr2

#### FLOW CELL ASSEMBLY - SS316 SENSOR HOUSING & MATING CELL WITH 1/4" PORTS (DRAWING 2P0073) (547 PH SENSOR WITH HEMISPHERICAL GLASS AND FLUSH JUNCTION REQUIRED, 547 SPECIFIC, NOT RECOMMENDED FOR 4 ELECTRODE CONDUCTIVITY)

##### WALL / SURFACE MOUNTED STANDARD

B57-S-V-N	Viton Oring
B57-S-E-N	EPDM Oring
B57-S-K-N	Kalrez Oring



##### PIPE MOUNTED

B57-S-V-P	Viton Oring
B57-S-E-P	EPDM Oring
B57-S-K-P	Kalrez Oring






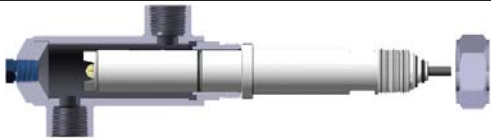


# Accessories Guide

## pH/ORP/Conductivity Sensors

### Model 551

#### Quick Change In-line Accessories

INLINE NUT-LOCK ADAPTER WITH 1" MNPT THREAD (DRAWING 2P0008)	
PLASTIC BODY <b>150 PSIG MAX (SENSOR DEPENDENT)</b>	
Part #	Description
B4953-0001	CPVC Body Delrin Hand Nut
B4953-0002	KYNAR Body Delrin Hand Nut
B4953-0015	KYNAR Body SS316 Hex Nut
B4953-1010	CPVC Body KYNAR Hand Nut
B4953-1011	PEEK Body KYNAR Hand Nut
	
METALLIC BODY <b>150 PSIG MAX (SENSOR DEPENDENT)</b>	
B4954-0006	SS316 Body Delrin Hand Nut
B4954-0008	Titanium Body Delrin Hand Nut
B4954-0007	Hastelloy C-276 Body Delrin Hand Nut
	
METALLIC BODY HIGH PRESSURE <b>300 PSIG MAX (SENSOR DEPENDENT)</b>	
B4954-0022	SS316 Body SS316 Hex Nut
B4954-0036	Titanium Body SS316 Hex Nut
B4954-0040	Hastelloy C276 Body SS316 Hex Nut
	
INLINE FLOW CELL PIPE TEE 1"FNPT THREADED, FOR NUT-LOCK ADAPTERS (Drawing 2P0092)	
B4951-0036	SS316, 150 PSIG Max
B4951-0045	CPVC Schedule 80, 100 PSIG Max
B4951-0046	Kynar Schedule 80, 200 PSIG Max
B4951-0044	Polypro Schedule 80, 150 PSIG Max
FLOWCELL WITH MOUNTING CLAMP (Drawing 2P0312) <b>300 PSIG MAX (SENSOR DEPENDENT)</b>	
B4992-1009	SS316 Wetted Parts, 1/2" FNPT Connections
B4992-0020	SS316 Wetted Parts, 1/4" Tubing Connections
B4992-1010	Titanium Gr. 2 Wetted Parts 1/2" FNPT Connections
B4992-1011	Titanium Gr. 2 Wetted Parts 1/4" Tubing Connections
	
INLINE NUTLOCK 150# SCH 80 ANSI B FLANGE ADAPTERS (Drawing 2P0083)	
CPVC FLANGE ADAPTER 150# ANSI WITH 316 SS HEX NUT <b>150 PSIG MAX (SENSOR DEPENDENT)</b>	
B4951-0066	1"
B4951-0067	1-1/2"
B4951-0068	2"
See Below for image	
KYNAR FLANGE ADAPTER 150# ANSI WITH 316 SS HEX NUT <b>150 PSIG MAX (SENSOR DEPENDENT)</b>	
B4951-0118	1"
B4951-0119	1-1/2"
B4951-0120	2"
See Below for image	
SERVICE PLUG - TO SEAL NUT-LOCK ADAPTER WHEN SENSOR IS REMOVED	
BV551PLUG	Kynar/Viton, 300PSIG Max



CPVC / Kynar Flanged Nut Lock Adapter

Images for reference only  
Not to scale

# Accessories Guide

## pH/ORP/Conductivity Sensors

### pH / ORP Sensor Extension Cable

pH / ORP SENSOR EXTENSION CABLES						
(FOR USE WITH SENSORS WITH INTEGRAL CABLE AND BNC TERMINATIONS)						
B39	Cable with Female BNC (Interfaces Male BNC Termination on Sensor Cable)					
	<b>Cable Type</b>					
	C-A	Coax Only 105°C (For pH/ORP sensors w/o Temp Comp or Solution Ground)				
	M-2	Multiconductor 130°C, Low Noise, TPE Jacket (Rqd for Temp Comp and/or Solution Ground)				
		<b>Reference Conductor</b>				
		S	Coax Shield			
		I	Independent Lead (Multiconductor Only)			
			<b>Solution Ground</b>			
		N	None			
		G	Independent Lead (Multiconductor Only)			
			<b>Cable Length</b>			
			#	<b>Special length cut</b>		
			5	5' Cable - standard		
			15	15' Cable		
			30	30' Cable		
			50	50' Cable		
			60	60' Cable		
			70	70' Cable		
			80	80' Cable		
			90	90' Cable		
			100	100' Cable		
				<b>Lead Terminations (Transmitter End)</b>		
			BN	BNC (Coax Only) NO TC		
			TN	Tinned Leads (Coax Only) NO TC		
			TT	All Tinned Leads		
			PP	All Wire Ferrules		
			BT	BNC & Tinned Leads for TC		
<b>Series</b>	<b>Type</b>	<b>Ref</b>	<b>SG</b>	<b>Length</b>	<b>Term</b>	<b>Typical Model Number</b>
B39	M-2	S	N	15	TT	B39-M-2-S-N-15-TT

ADAPTIVE MINI CABLES FOR pH or ORP SENSORS WITH BNC AND OR 2 PIN MOLEX TC	
B3907-0016	Female BNC / 2 Pin Molex X Tinned Leads 12" (Drawing 2P0153)
B3907-0001	Female BNC X Tinned Leads 6" (Drawing 2P0093)
B3907-0020	Female BNC X #6 Spade Lugs 6" (Drawing 2P0151)
B3907-0015	Female 2 Pin Molex X Tinned Leads 6" (Drawing 2P0152)

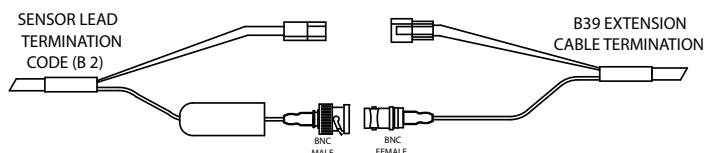
# Accessories Guide

## pH/ORP/Conductivity Sensors

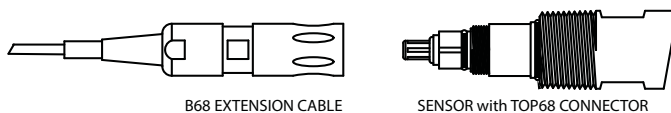
### pH / ORP Sensor Extension Cable (Continued)

TOP68 COUPLED 6 POLE QUICK DISCONNECT CABLES FOR pH/ORP SENSORS				
<b>(FOR pH OR ORP SENSORS WITH PLUG HEAD (PH) OR PLUG TAIL (PT) TERMINATIONS)</b>				
B68 High Temperature, Low Noise, Flexible Extension Cable with Connector and Gold Contacts				
<b>Cable Type</b>				
M		Multiconductor 80°C Max. Temperature		
<b>Cable Length Footage 1 – 60Ft (Whole Numbers Only) Longer POR</b>				
#		Special length cut charge plus next longer selection below		
5		5' Cable - standard		
15		15' Cable		
30		30' Cable		
50		50' Cable		
60		60' Cable		
<b>Lead Terminations (Preamp / Analyzer End)</b>				
TT		All Tinned		
PP		All Wire Ferrules		
BT		BNC & Tinned Leads for TC		
Series	Type	Length	Term	Typical Model Number
B68	M	10	BT	

STANDARD PRE-BUILT CABLES	
TOP68 COUPLED QUICK DISCONNECT FOR pH SENSORS WITH TC OR SOLUTION GND (6 POLE)	
B3907-0022	1.5M, Tinned Leads
B3907-0004	5M, Tinned Leads
B3907-0006	10M, Tinned Leads
B3907-0044	1.5M, BNC and Tinned TC Leads
B3907-0003	5M, BNC and Tinned TC Leads
B3907-0005	10M, BNC and Tinned TC Leads
TOP68 COUPLED QUICK DISCONNECT FOR pH SENSORS WITHOUT TC OR SOLUTION GROUND OR ORP SENSORS WITHOUT TC OR SOLUTION GROUND (2 POLE)	
B3907-0009	5M, Tinned Leads
B3907-0007	10M, Tinned Leads
B3907-0010	5M, BNC
B3907-0008	10M, BNC



Example of B39 pH Extension cable with BNC connector.  
Find extension cable on page 10

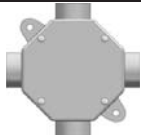



Example of TOP68 Coupled Quick Disconnect termination for a pH Sensor.  
Find Extension cable above

# Accessories Guide

## pH/ORP/Conductivity Sensors

### Common Accessories - Junction Boxes and Tags

JUNCTION BOXES FOR PH SENSORS		
Part #	Description	
B5026-0001	Junction Box 4" x 4" CPVC 4 Port Included 2 SS Reinforced CPVC 3/4" FNPT Ports & 2 Slip Plugs (Drawing 2P0020)	
B5026-0005V	Junction Box, powder coated aluminum, weatherproof (Drawing TBA)	
IDENTIFICATION TAGS		
B5003-0001	Tag Polyester	
B5003-0002	Tag Stainless Steel	

### Contact Us

Barben Analytical is a leading supplier of analytical measurement technology targeting the industrial marketplace. It is a wholly owned subsidiary of Ametek.

Ametek has nearly 14,000 colleagues at over 120 manufacturing locations around the world. Supporting those operations are more than 80 sales and service locations across the United States and in more than 30 other countries around the world.

Barben Analytical  
5200 Convair Drive  
Carson City, NV 89706 USA

Toll Free: +1 (800) 993-9309  
Phone: +1 (775) 883-2500  
Fax: +1 (775) 297-4740  
email: Sales.Barben@Ametek.com  
Web: www.BarbenAnalytical.com

Barben Analytical reserves the right to make technical changes or modify the contents of this document without prior notice. We reserve all rights in this document and in the subject matter and illustrations contained within.

Hastelloy® is a registered trademark of Haynes Intl Inc.  
Kalrez® and Viton are registered trademarks of DuPont Dow Elastomers L.L.C.  
Kynar® is a registered trademark of Elf Atochem North America Inc.  
Teflon® is a registered trademark of E.I. DuPont de Nemours Company Inc.