

Pneumatic ball valves ON-OFF

Series VSP/2V - FF/BW/SW

BUROCCO

INDUSTRIAL VALVES srl

Technical data

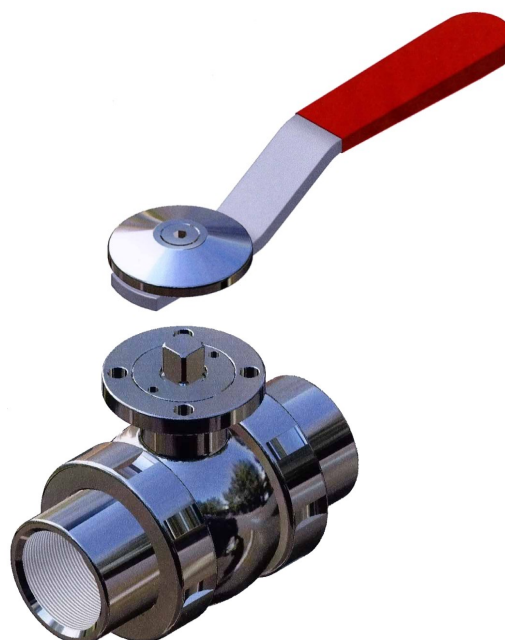
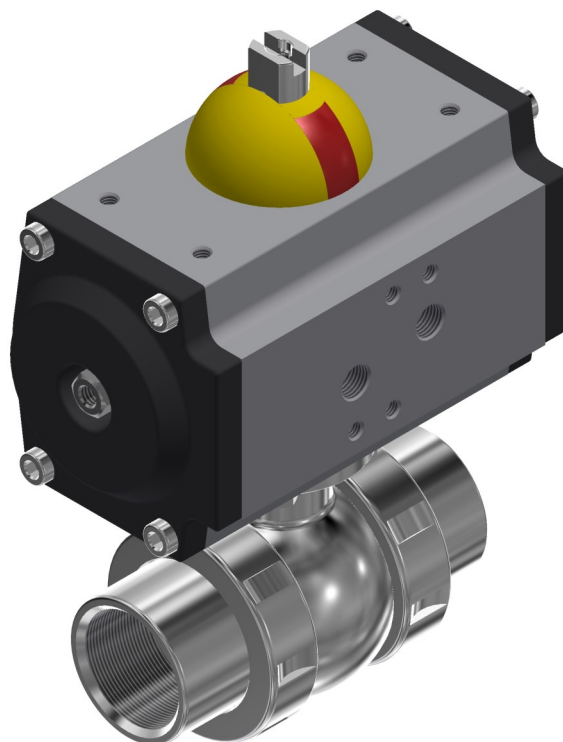
Size (DN)	DN 10 - 50
Rating	PN 40 (10-25) - PN 25 (32-50)
Connections	Female threaded GAS (FF) - ISO 228 Butt weld (BW) Socket weld (SW)
Actuator	Pneumatic rotating 90° - DOUBLE EFFECT - anodized alloy aluminium
Supply	min 6 / max 10 bar
Temperature	from -25 to +120 °C

Description

The ball valves can intercept different type of fluid : steam, water, no-explosive gas, corrosive fluids, colors, chemical products, etc. They can be employed in several sector as: textile dyeing and finishing plants, chemical plants, water-treating, alimentary, general industrial plants.

Options

- ⇒ Pneumatic actuator SIMPLE EFFECT
- ⇒ Special Seals (max 180 °C)
- ⇒ Mechanical limit switch / proximity / microswitches box
- ⇒ Pneumatic / electropneumatic positioner
- ⇒ Solenoid
- ⇒ Operated by MANUAL LEVER



Pneumatic ball valves ON-OFF
Series VSP/2V - FF/BW/SW

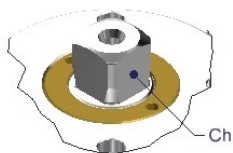
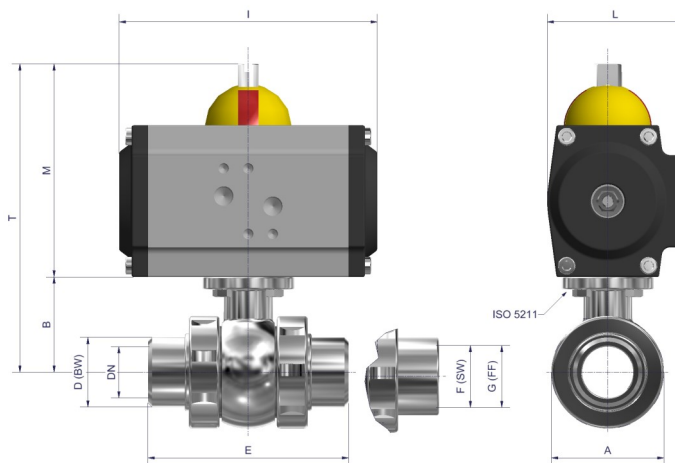
BUROCCO
INDUSTRIAL VALVES srl

BUROCCO INDUSTRIAL VALVES srl VIA NOVEIS, 33 - 13867 PRAY (BI) - ITALY

info@burocco.it — www.burocco.it

Tel.: +39 015 76.72.78 — Fax: +39 015 76.71.36

Materials	
Valve body	AISI 316/316L
Seats	PTFE (STD) - PTFE/CG - PTFE+GLASS - PEEK (max 180 °C)
O-rings	FPM
Ball	AISI 316/316L
Stem	AISI 316/316L
Connections	AISI 316/316L



Dimensions (mm)																			
DN - actuator	A	B	Ø D	E	Ø F	G	I	L	M	T	ISO 5211	Ch	weight (Kg) *						
10 - 43/90 DE	45	41,5	17,5	84	17,7	3/8"	116	62	96	143,5	F03	9	1,30						
10 - 52/90 DE							132	69	105	152,5			1,60						
10 - 43/90 SE							116	62	96	143,5			1,30						
15 - 43/90 DE							116	62	96	143,5			1,30						
15 - 52/90 DE			48		43	21,3	21,5	1/2"	116	62			96	143,5	F03	9	1,30		
15 - 52/90 DE									132	69			105	152,5			1,60		
15 - 43/90 SE									116	62			96	143,5			1,30		
15 - 52/90 SE									132	69			105	152,5			1,60		
20 - 43/90 DE	48	43	26,9	90	27	3/4"	116	62	96	145	F03	9	1,40						
20 - 52/90 DE							132	69	105	154			1,70						
20 - 52/90 SE							132	69	105	154			1,70						
25 - 52/90 DE	60	48	33,7	98	33,9	1"	132	69	105	159			F03	9			1,95		
25 - 52/90 SE							132	69	105	159					1,95				
32 - 52/90 DE	70	54	42,4	110	42,7	1"1/4	132	69	105	165					F05	14	2,60		
32 - 63/90 SE							137	80	105	179							3,15		
40 - 52/90 DE	80	58	48,3	114	48,8	1"1/2	132	69	105	169							F05	14	2,90
40 - 63/90 SE							137	80	119	183	3,45								
50 - 63/90 DE	90	65	60,3	150	60,8	2"	137	80	119	190	F05	14							4,55
50 - 83/90 SE							180	100	139	210									5,60

DE = double effect SE = simple effect

* Actuator without accessories.