

# Pneumatic ball valves ON-OFF

## Serie VSP/2V - FL UNI PN 10/16

# BUROCCO

## INDUSTRIAL VALVES srl

### Technical data

Size (DN)	DN 15 - 50
Rating	PN 40 (15-25) - PN 25 (32-50)
Connections	FLANGE UNI PN 10/16
Actuator	Pneumatic rotating 90° - DOUBLE EFFETCT - anodized alloy aluminium
Supply	min 6 / max 10 bar
Temperature	da -25 a +120 °C

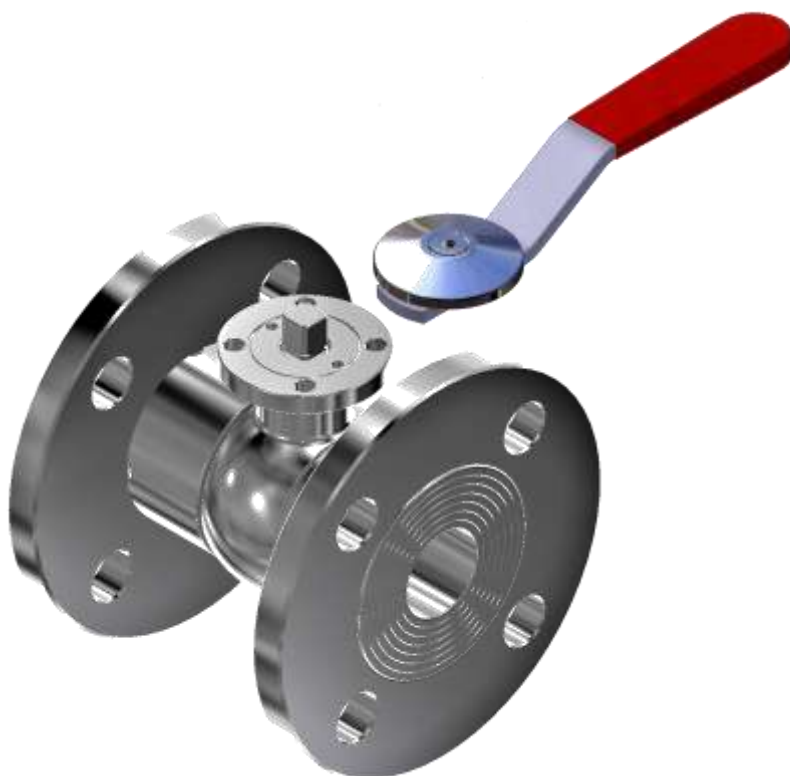
### Description

The ball valves can intercept different type of fluid : steam, water, no-explosive gas, corrosive fluids, colors, chemical products, etc.

They can be employed in several sector as: textile dyeing and finishing plants, chemical plants, water-treating, alimentary, general industrial plants

### Opzioni

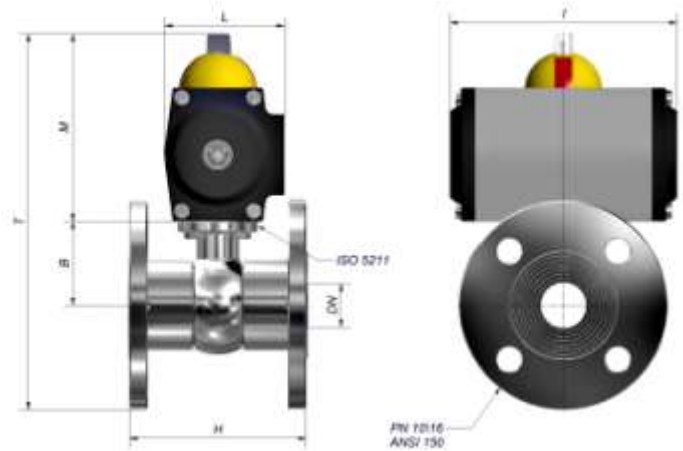
- ⇒ Pneumatic actuator SIMPLE EFFECT
- ⇒ Mechanical limit switch / proximity microswitches box
- ⇒ Pneumatic / electropneumatic positioner
- ⇒ Solenoid
- ⇒ Operated by MANUAL LEVER



Pneumatic ball valves ON-OFF  
Serie VSP/2V - FL UNI PN 10/16

**BUROCCO**  
INDUSTRIAL VALVES srl

Materials	
Valve body	AISI 316/316L
Seats	PTFE (STD) - PTFE/CG - PTFE+VETRO - PEEK (max 180 °C)
O-rings	FPM
Ball	AISI 316/316L
Stem	AISI 316/316L
Connections	AISI 304/304L (STD) AISI 316/316L



Dimensions (mm)											
DN - actuator	B	H	I	L	M	T	ISO 5211	Ch	Weight (Kg) *		
15 - 52/90 DE	41,5	78	132	69	111	197	F03	9	2.2		
15 - 52/90 SE			132	69	111	197			2.2		
20 - 52/90 DE	43	80	132	69	111	203.5			9	2.8	
20 - 52/90 SE			132	69	111	203.5				2.8	
25 - 52/90 DE	48	98	132	69	111	261			F05	14	3.3
25 - 52/90 SE			132	69	111	261					3.3
32 - 63/90 DE	54	100	137	80	125	238	14	5.7			
32 - 75/90 SE			161	93	137	250		6.4			
40 - 63/90 DE	58	114	137	80	125	246.5	14	6.2			
40 - 75/90 SE			161	93	137	258.5		6.8			
50 - 63/90 SE	65	130	137	80	125	266	14	7.6			
50 - 83/90 SE			180	100	145	286		8.6			

DE = double effect      SE = single effect

\* Actuator without accessories.

Burocco reserves the right to make improvements without prior notice 01/14