

Pneumatic ball valves ON-OFF

Serie VSP/3V - FL UNI PN 10/16

BUROCCO

INDUSTRIAL VALVES srl

Technical data

Size (DN)	DN 15 - 40
Rating	PN 40 (15-25) - PN 25 (32-40)
Connections	FLANGE UNI PN 10/16
Actuator	Pneumatic rotating 90° - DOUBLE EFFETCT - anodized alloy aluminium
Supply	min 6 / max 10 bar
Temperature	da -25 a +120 °C

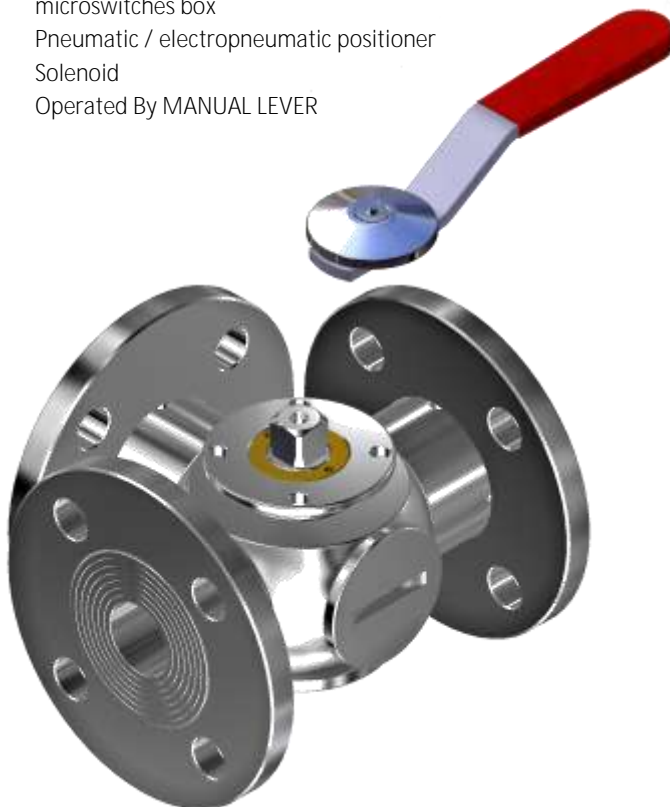
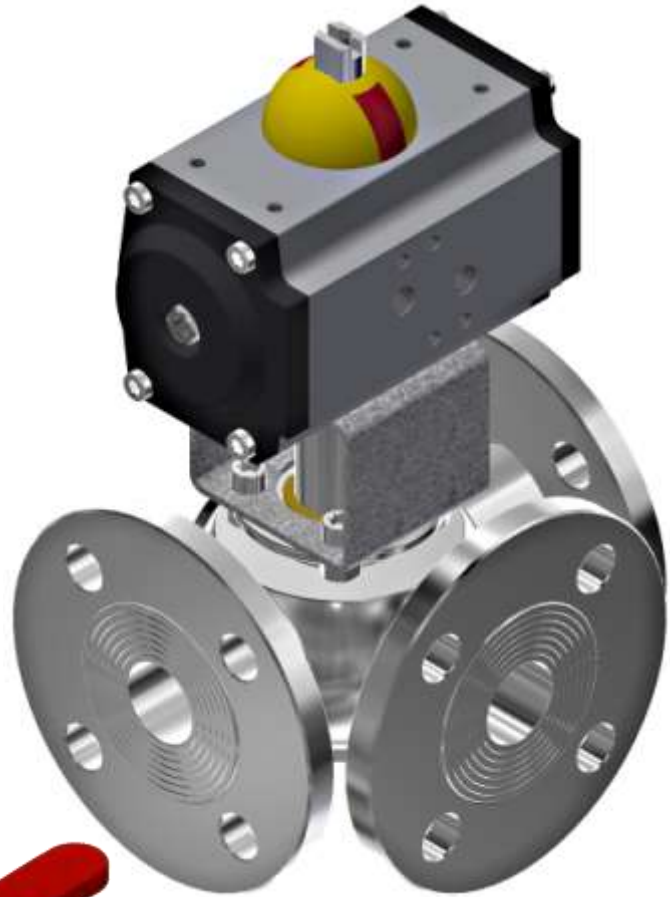
Description

The ball valves can intercept different type of fluid : steam, water, no-explosive gas, corrosive fluids, colors, chemical products, etc.

They can be employed in several sector as: textile dyeing and finishing plants, chemical plants, water-treating, alimentary, general industrial plants

Opzioni

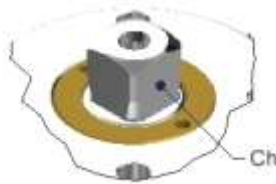
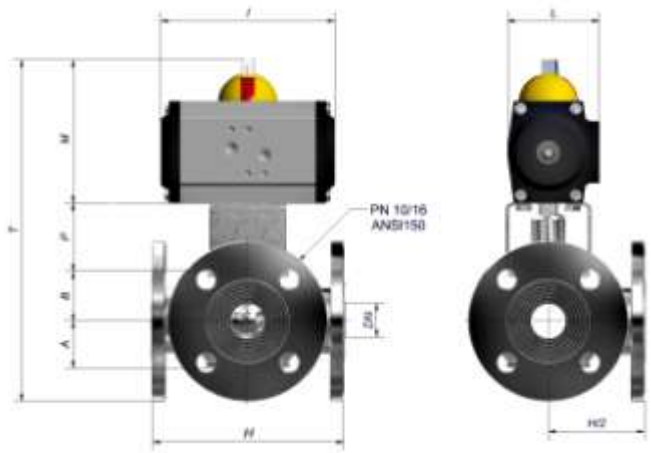
- ⇒ Attuatore pneumatico SEMPLICE EFFETTO
- ⇒ **Drilling ball** " T " or " L "
- ⇒ PVC insulating interspace (max 80° C)
- ⇒ Fittings washing gap
- ⇒ Mechanical limit switch / proximity microswitches box
- ⇒ Pneumatic / electropneumatic positioner
- ⇒ Solenoid
- ⇒ Operated By MANUAL LEVER



Pneumatic ball valves ON-OFF
Serie VSP/3V - FL UNI PN 10/16

BUROCCO
INDUSTRIAL VALVES srl

Materiali	
Valve body	AISI 316/316L
Seats	PTFE (STD) - PTFE/CG - PTFE+VETRO - PEEK (max 180 °C)
O-rings	FPM
Ball	AISI 316/316L
Stem	AISI 316/316L
Connections	AISI 304/304L (STD)



Dimensions (mm)											
DN - actuator	A	B	H	I	L	M	P	T	ISO 5211	Ch	weight (Kg) *
15 - 52/90 DE	28	30	120	133	69	111	50	235.5	F05	14	3.6
15 - 63/90 SE				137	80	125		249.5			4.1
20 - 52/90 DE	31	32,5	130	133	69	111		243			4.7
20 - 63/90 SE				137	80	125		257			5.2
25 - 63/90 DE	34	35	140	137	80	125		264			6.2
25 - 75/90 SE				161	93	137		276			6.9
32 - 63/90 DE	38	40	166	137	80	125		274			8.7
32 - 83/90 SE				180	100	145		294			9.7
40 - 75/90 DE	45	53	190	161	93	137		303.5	F07	12.6	
40 - 110/90 SE				221	120	177		343.5		15.7	

DE = double effect SE = single effect

* Actuator without accessories.