



## FEATURES

- Programmable control inputs
- Ready for ESTA applications
- For use with TRD 8001 Remote Display
- RS485 (Modbus RTU) and USB interface

## BENEFITS

- ▶ Transmits flow rate, total, density or temperature
- ▶ Economy version
- ▶ Simple meter configuration
- ▶ Easy interfacing with TRICOR Configuration tool

## SPECIFICATIONS

Supply Voltage:	24 V DC, ±20%
Power Consumption:	max. 4 W
Interfaces:	RS485, USB (option)
Housing Material:	Aluminum
Protection Class:	IP65
Programming:	via TRD 8001 or via interface

## ANALOG OUTPUT

Current Output:	4 ... 20 mA active
Output Value (programmable):	flow, total mass, total volume, density, temperature

## PULSE OUTPUT

Frequency Range:	0.5 - 10.000 Hz for ESTA (OPTV receiver): 0.5 - 5,000 Hz
Output Signal:	active push-pull output for flow rate optional: isolated optical pulse output

## STATUS IN- AND OUTPUT

Status Output:	push pull programmable (option) in TOTAL mode: 0.5 - 100 Hz
Control Input (programmable):	Standard: 1 input/option: 2 inputs optional: insulated optical control input

## TEMPERATURE

Ambient Temperature:	-40 °C ... +70 °C [-40 °F ... +158 °F]
Storage and Transport:	-40 °C ... +80 °C [-40 °F ... +176 °F]

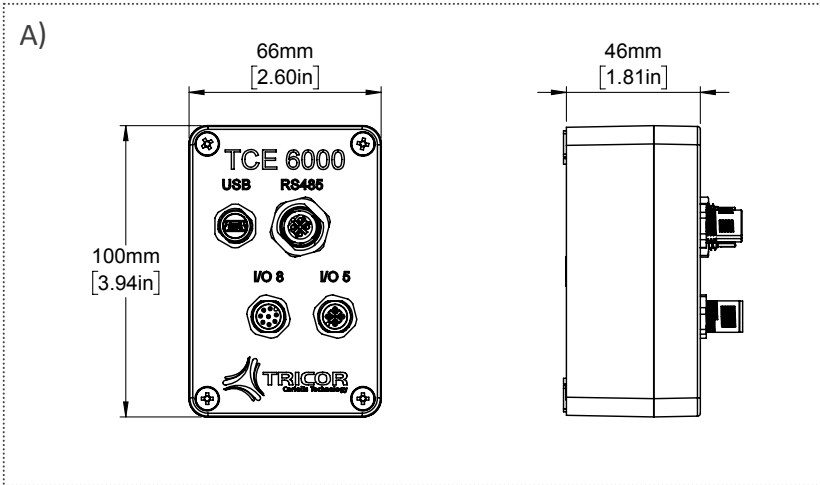
## CONNECTIVITY

Electrical Connections:	connectors M12
-------------------------	----------------



Original KEM/AWL document: TCE\_6000\_CLASSIC\_F\_EN\_180720\_E001 | Copyright KEM/AWL, Subject to change without notice

*Note: For parameterization of the flow meter, the interface may be used.  
Prerequisite: Parameter setting is not allowed during active ESTA operation.*



## METER DIMENSIONS

A) Meter-Mount Electronics

## APPROVALS & CERTIFICATIONS

Hazardous area (Ex)

ATEX (Exn) <sup>1)</sup>	Zone 2: II 3G Ex nA IIC T2...T4 Gc
--------------------------	---------------------------------------

<sup>1)</sup> Only if powered by an SELV supply.

EMC

EN 61000-6-4

EN 61000-6-2

[www.tricorflow.com](http://www.tricorflow.com)



**N & S AMERICA**  
 AW-Lake Company  
 2440 W. Corporate Preserve Dr. #600  
 Oak Creek WI 53154 | USA  
 +1 414 574 4300

**ASIA PACIFIC & MIDDLE EAST**  
 KEM Instruments SEA Pte. Ltd.  
 UEN: 201717792Z  
 1003 Bukit Merah Central #06-32  
 Singapore 159836  
 +65 6274 1130

**CHINA**  
 KEM flow technology (Beijing) Co., Ltd.  
 Rm. 906, Block C, RuiPu Office Bldg, No. 15  
 HongJunYingNan Road  
 Chaoyang District, Beijing 100012 | China  
 +86 10 84929567

**REST OF WORLD**  
 KEM Küppers Elektromechanik GmbH  
 Liebigstraße 5  
 85757 Karlsfeld | Germany  
 +49 8131 59391-100