

Pneumatic ball valves ON-OFF

Serie VSP/2V - CL

BUROCCO

INDUSTRIAL VALVES srl

Technical data

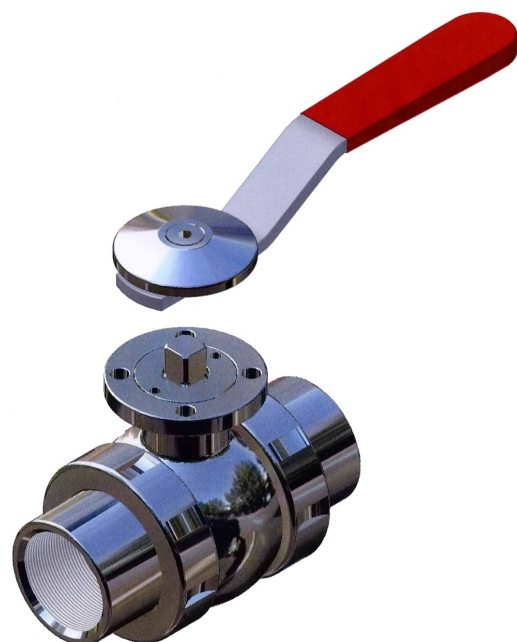
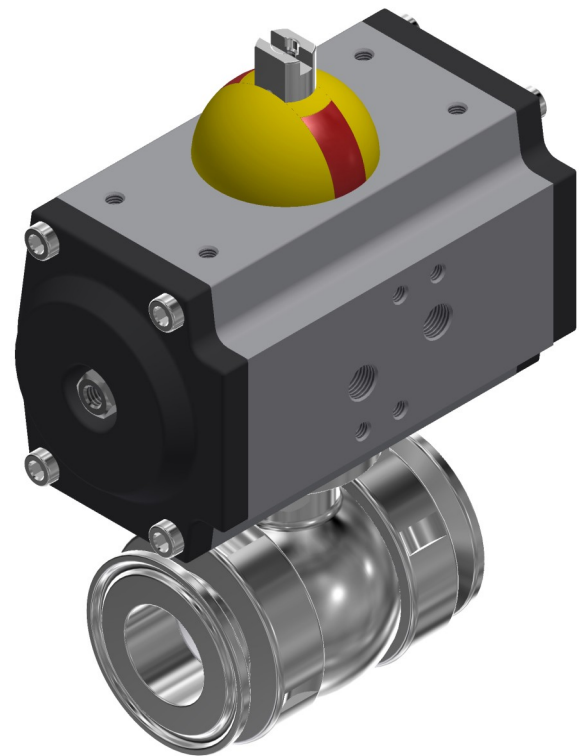
Size (DN)	DN 10 - 50
Rating	PN 40 (10-25) - PN 25 (32-50)
Connections	Clamp (CL)
Actuator	Pneumatic rotating 90° - DOUBLE EFFETCT - anodized alloy aluminium
Supply	min 6 / max 10 bar
Temperature	from -25 to +120 °C

Description

The ball valves can intercept different type of fluid : steam, water, no-explosive gas, corrosive fluids, colors, chemical products, etc. They can be employed in several sector as: textile dyeing and finishing plants, chemical plants, water-treating, alimentary, general industrial plants.

Options

- ⇒ Pneumatic actuator SIMPLE EFFECT
- ⇒ Special Seals (max 180 °C)
- ⇒ Mechanical limit switch / proximity / microswitches box
- ⇒ Pneumatic / electropneumatic positioner
- ⇒ Solenoid
- ⇒ Operated by MANUAL LEVER



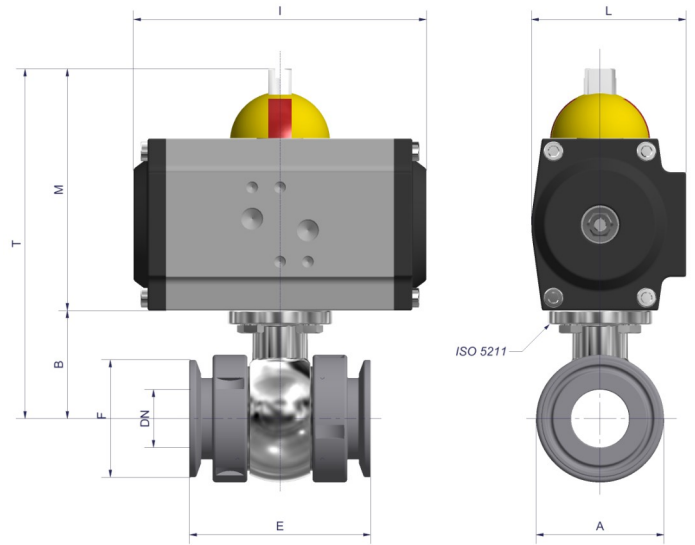
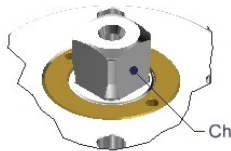
Pneumatic ball valves ON-OFF

Serie VSP/2V - CL

BUROCCO

INDUSTRIAL VALVES srl

Materials	
Valve body	AISI 316/316L
Seats	PTFE (STD) - PTFE/CG - PTFE+GLASS - PEEK (max 180 °C)
O-rings	FPM
Ball	AISI 316/316L
Stem	AISI 316/316L
Connections	AISI 316/316L



Dimensions (mm)											
DN - actuator	A	B	E	Ø F	I	L	M	T	ISO 5211	Ch	weight (Kg) *
10 - 43/90 DE	45	41,5	70	34,5	116	62	96	137,5	F03	9	1,30
10 - 52/90 DE					132	69	105	146,5			1,60
10 - 43/90 SE					116	62	96	137,5			1,30
15 - 43/90 DE					116	62	96	137,5			1,30
15 - 52/90 DE					132	69	105	146,5			1,60
15 - 43/90 SE					116	62	96	137,5			1,30
15 - 52/90 SE					132	69	105	146,5			1,60
20 - 43/90 DE					48	43	70	50,4			116
20 - 52/90 DE	132	69	105	148					1,70		
20 - 52/90 SE	132	69	105	148					1,70		
25 - 52/90 DE	60	48	78	50,4	132	69	105	153	F03	9	1,95
25 - 52/90 SE					132	69	105	153			1,95
32 - 52/90 DE	70	54	88	64	132	69	105	159	F05	14	2,45
32 - 63/90 SE					137	80	119	173			3,00
40 - 52/90 DE	80	58	92	64	132	69	105	163	F05	14	2,90
40 - 63/90 SE					137	80	119	177			3,45
50 - 63/90 DE	90	65	106	77,4	137	80	119	184	F05	14	4,65
50 - 83/90 SE					180	100	139	204			5,70

DE = double effect SE = single effect

* Actuator without accessories.